



Volvo Global Invoice specification for AP material rev. 05

This specification describes the Volvo application of the Global Invoice regarding Automotive Products (AP). Global Invoice is an initiative of the joint Automotive Industry and covers all types of EDI invoices and is based on the Edifact message standard.

The Volvo Global Invoice specification for AP material is a user profile of the Global Invoice subset, called Global Invoice Message 2.0 - Odette Sweden, specified by the Swedish Odette organisation currently published on www.odette.se. The AP specification will be primarily used for EDI invoicing to Volvo units in Europe.

Volvo will use this specification in future implementations of EDI invoices based on the Edifact standard. All older EDI relations currently in production will gradually be migrated to this specification.

Although this specification is a user profile, it covers a number of options. The use of these options is dependent on the local conditions and the requirements in each individual relation between a supplier and a Volvo unit. Before implementing this specification, it is important to analyse the current needs and to decide whether the options are applicable or not. Examples of these options are; special charges, use of two currencies (invoicing and home currency), intra-EU-invoicing with no VAT amount specified, etc. The occurrence of options are further described within this specification and in supporting guidelines published separately.

For further information and guidelines regarding this specification, please study the Volvo EDI web site, www.volvo.com/edi_europe.

In this specification Volvo has also included information related to Self Billing Invoicing (SBI). This SBI concept has been discussed a lot during the recent years within the Automotive Industry. For the moment, Volvo has no intention to implement SBI for AP material, but will in the future study the concept thoroughly and decide the conditions later.

The Volvo Global Invoice specification for Non Automotive products (NAP) will be specified and published in a separate document.

Document No:	9642-539201-05
Replaces:	9642-539201-04
Issued by:	Volvo IT, dept 9658
Approved by:	Process Owner Accounts Payable Mattias Norin
Date:	2008-06-26
Application area:	Suppliers to Volvo units in Europe
Validity:	Until further notice

Revisions

Date	Issued by	Revision	Remarks
2005-09-27	Volvo IT 9642	01	First published revision
2005-10-31	Volvo IT 9642	02	The party "Buyer as officially registered" excluded since Volvo will not require this information. VAT number has been excluded from the party Payee. VAT exempt code list has been added in the TAX segment Conditions for occurrence of certain elements have been changed Editorial improvements of explanations and comments
2005-12-08	Volvo IT 9642	03	The following minor modifications have been introduced: <ul style="list-style-type: none"> ▪ Segment GEI specifying type of material has been added ▪ SG50 - segment MOA for non-taxable or exemption amount, Remarks has been modified, the word "no" has been deleted. ▪ Code list for 5305 VAT Category code in segment TAX related to SG34, SG44 and SG52 has been modified for code value AAM.
2006-06-08	Volvo IT 9642	04	The following modifications have been introduced: <ul style="list-style-type: none"> ▪ In segment FTX, the Free Text qualifier = AET has been deleted ▪ In SG2/NAD/3035/BY the code value = 92 of 3055 has been introduced, but code value = 91 is still valid ▪ In SG2/NAD/3035/LC an additional party name line has been included in order to support a correct c/o address for a VAT agent. ▪ In case of home currency different from invoicing currency, the currency conversion rate has to be expressed with 5 decimals ▪ In SG26/GIN/7405 the code value EE has been introduced ▪ SG26/RFF/1156 has been introduced in order to provide for a reference to a specific order line. ▪ In TAX/5305 the code list has been limited and the values Z, AA, H and O have been deleted. ▪ In ALC/C214/7161 the code list for use to receivers in Sweden and Belgium has been limited ▪ The use of currency code in MOA/6345 has been excluded since the currency code is specified in CUX/6345 for the whole invoice ▪ A branching diagram has been included A number of editorial improvements of explanations and comments
2008-06-26	Volvo IT 9658	05	Corrected segment IMD with Max.occ changed into 1 instead of 99.



Volvo Global Invoice AP Branching Diagram

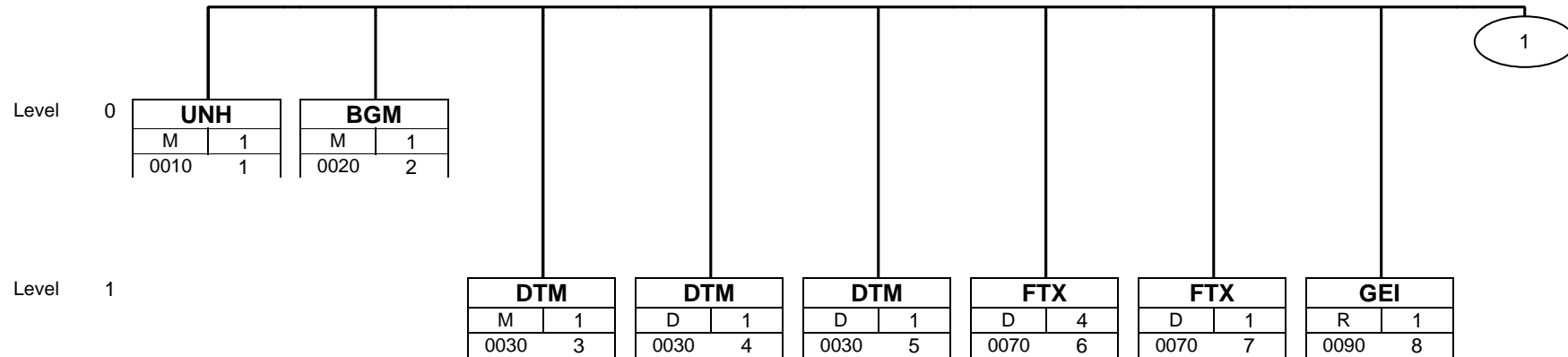
Below enclosed branching diagram is intended to support the interpretation of the Volvo profile of the Global Invoice subset specifications. It specifies the structure of the Volvo Global Invoice specifications.

The occurrence of a segment group (SG) or a segment can be either mandatory (M) or conditional (C). In case of conditional occurrence, the conditions for use are described in detail in the segments specification in the end of this document.

For further information and guidelines regarding this specification, please study the Volvo EDI web site, www.volvo.com/edi_europe.

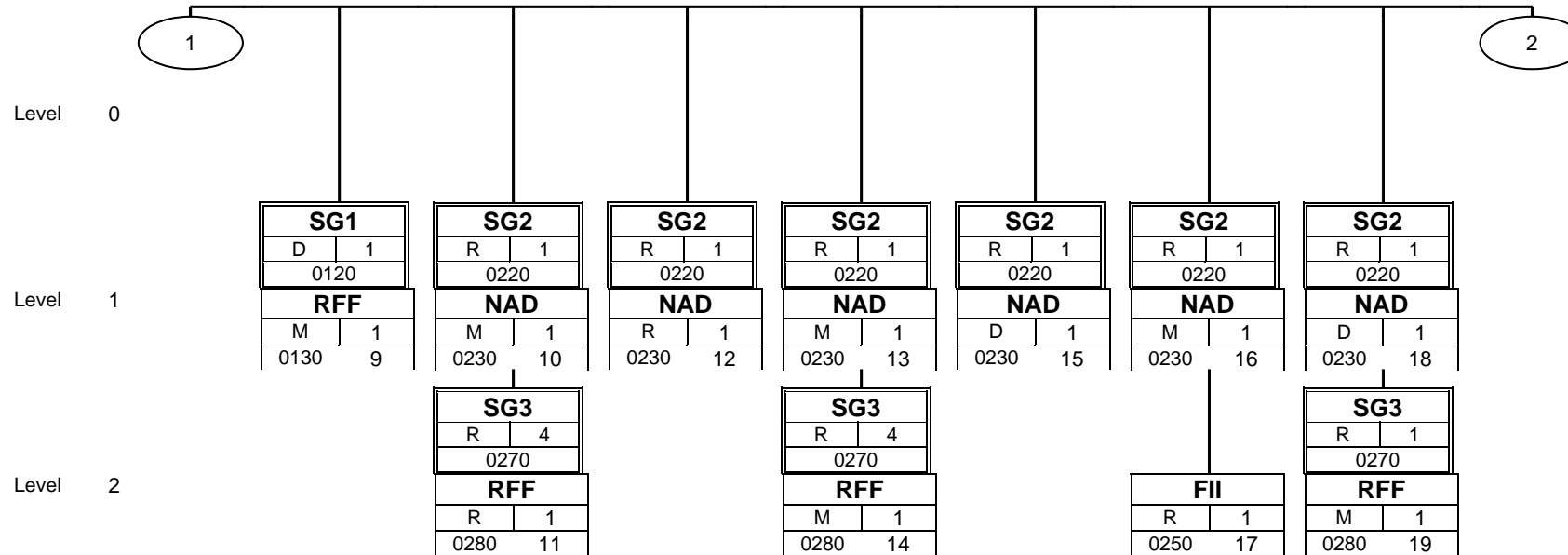
VOLVO GLOBAL INVOICE AP VERSION 2

UN/EDIFACT Message: Branching diagram of used segments and segment groups



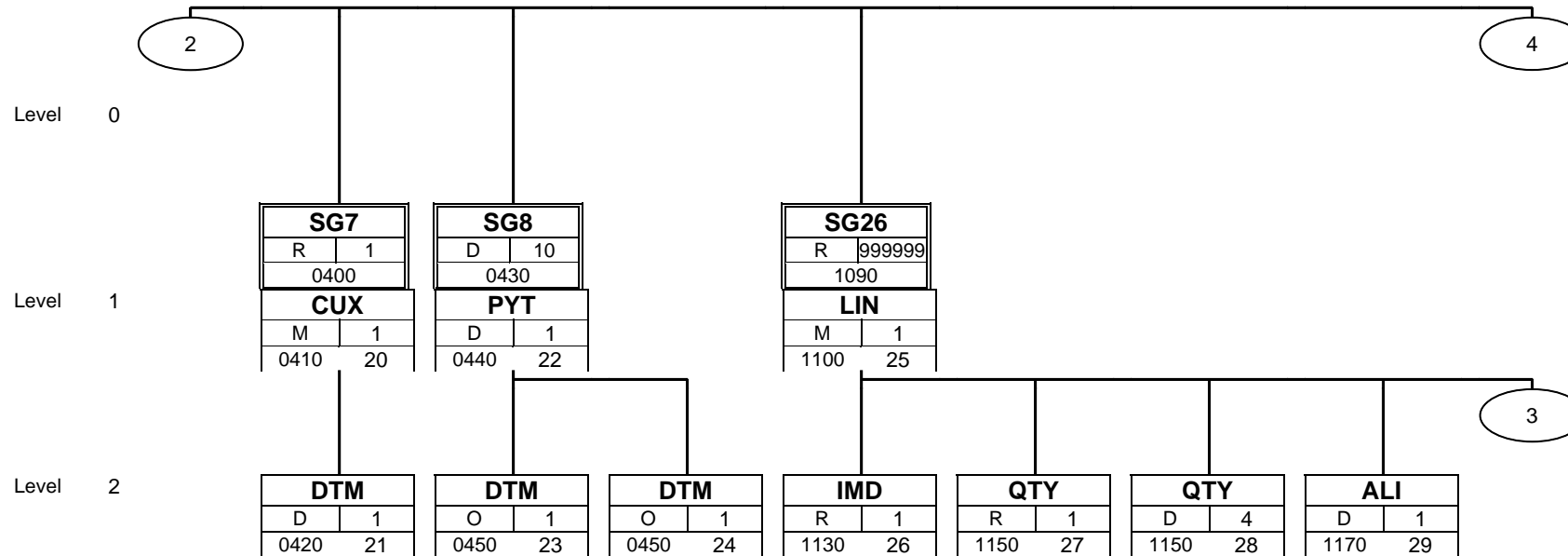
VOLVO GLOBAL INVOICE AP VERSION 2

UN/EDIFACT Message: Branching diagram of used segments and segment groups



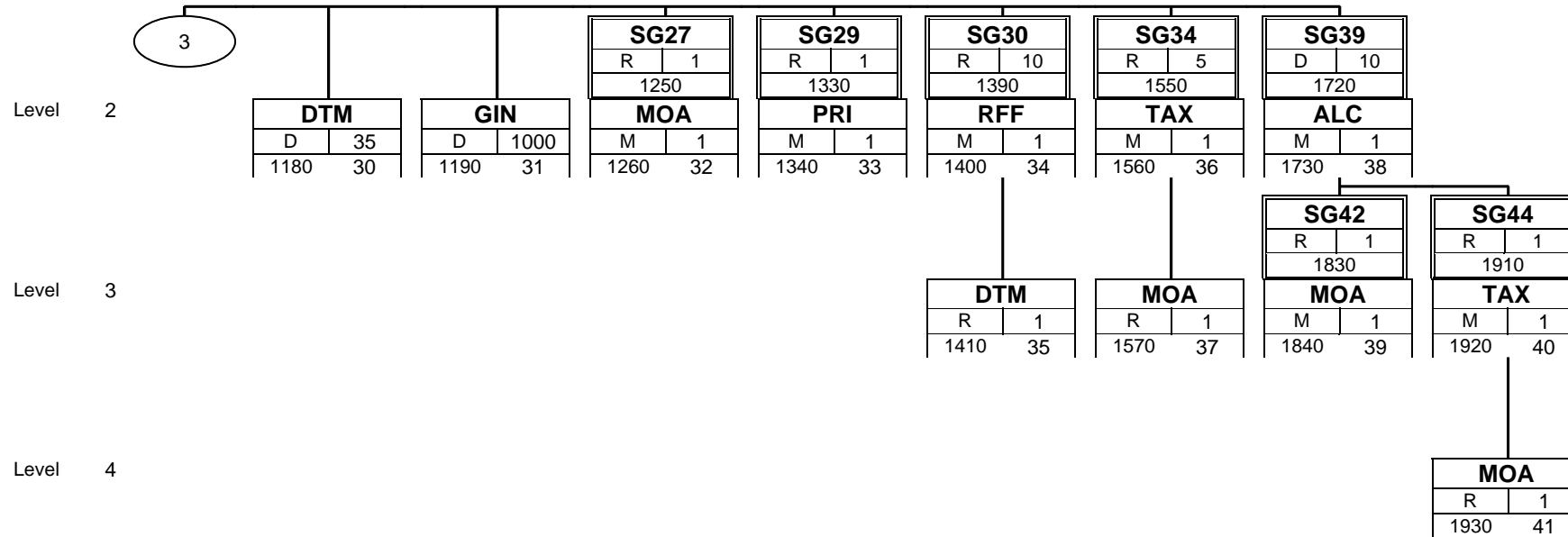
VOLVO GLOBAL INVOICE AP VERSION 2

UN/EDIFACT Message: Branching diagram of used segments and segment groups



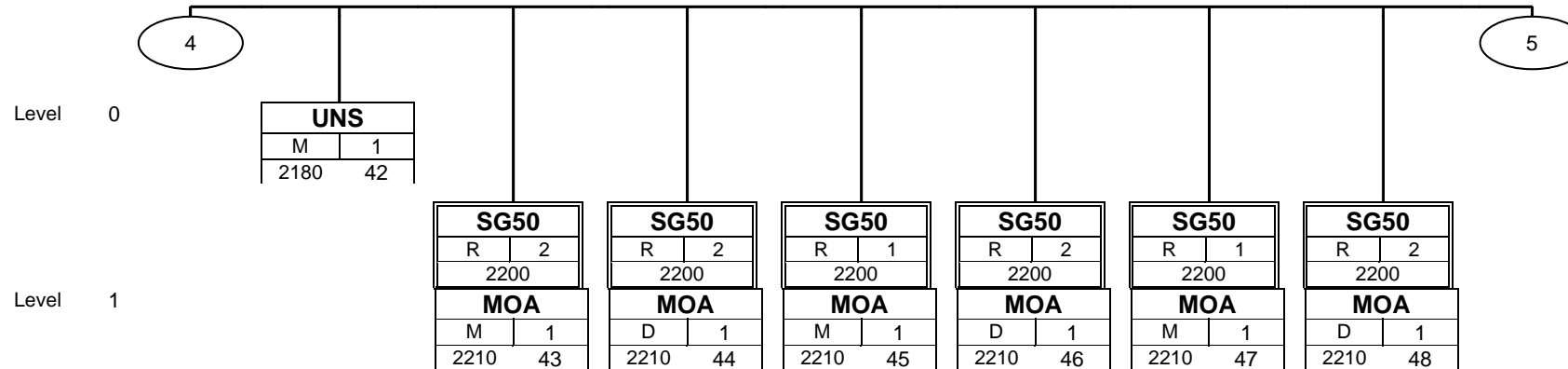
VOLVO GLOBAL INVOICE AP VERSION 2

UN/EDIFACT Message: Branching diagram of used segments and segment groups



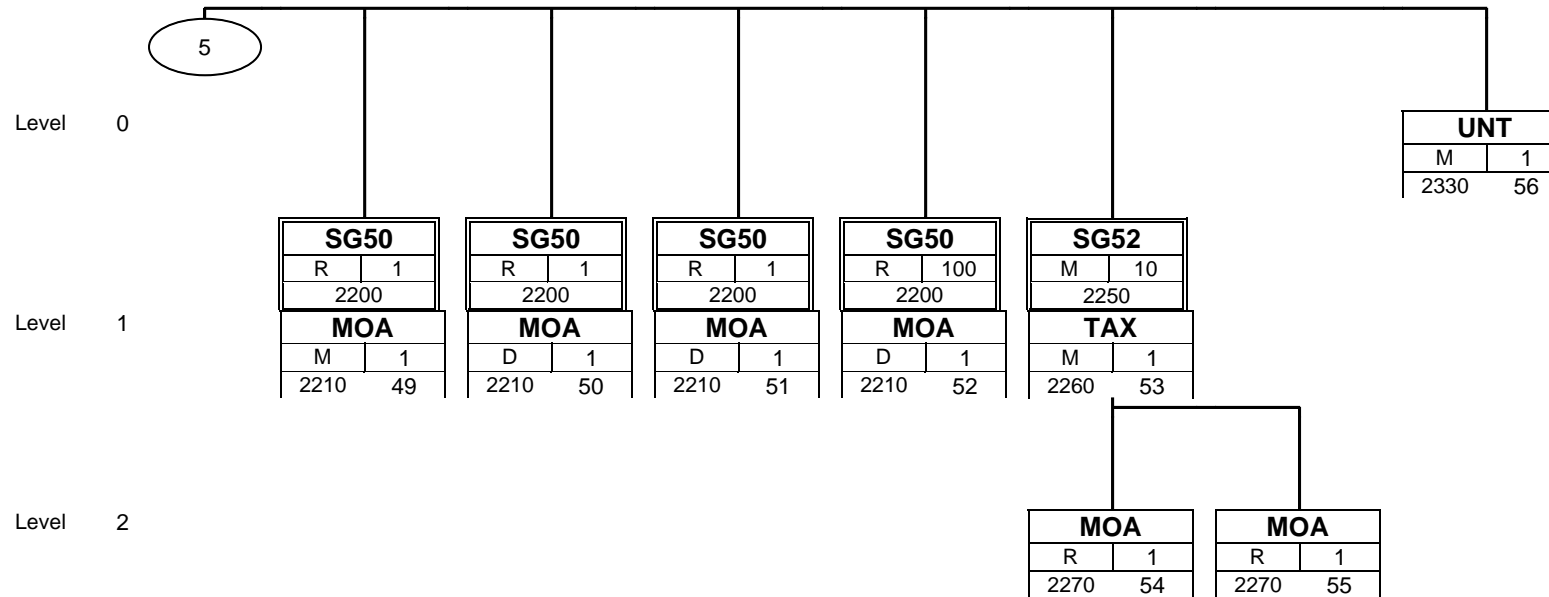
VOLVO GLOBAL INVOICE AP VERSION 2

UN/EDIFACT Message: Branching diagram of used segments and segment groups



VOLVO GLOBAL INVOICE AP VERSION 2

UN/EDIFACT Message: Branching diagram of used segments and segment groups



VOLVO GLOBAL INVOICE AP VERSION 2

UN/EDIFACT Message: Segment details

Segment: UNH
 Seq. No.: 1 Level: 0 **Message header**
 Status: M Max. Occ.: 1
 Counter: 0010

Name: Message header

Description of segment:

UN/EDIFACT			Implementation	
	Name	St Format	St Format	Use / Remarks
UNH				
0062	Message reference number	M an..14	M an..14	Message reference number - unique number to identify the message within the interchange, usually a consecutive number starting with 1.
S009	Message identifier	M	M	
0065	Message type	M an..6	M an..6	INVOIC = Invoice message
0052	Message version number	M an..3	M an..3	D = Draft version/UN/EDIFACT Directory
0054	Message release number	M an..3	M an..3	03A = Release 2003 - A
0051	Controlling agency	M an..2	M an..2	UN = UN/CEFACT
0057	Association assigned code	C an..6	R an6	GMI012 = Global Automotive Industry INVOIC V2
0068	Common access reference	C an..35	N	not used
S010	Status of the transfer	C	N	not used
0070	Sequence of transfers	M n..2	N	not used
0073	First and last transfer	C a1	N	not used

Comments:

This specification provides the content of the message to be used in electronic data interchange between trading partners. An invoice is a message claiming payment for goods or services supplied under conditions agreed between the seller and the buyer. The Invoice message may be used for both national and international applications.

- A seller may invoice for one or more transactions
- An invoice may refer to goods, item related to one order, delivery instructions, etc.

Example:

UNH+1+INVOIC:D:03A:UN:GMI012'

VOLVO GLOBAL INVOICE AP VERSION 2

UN/EDIFACT Message: Segment details

Segment: BGM
 Seq. No.: 2 Level: 0 **Beginning of message**
 Status: M Max. Occ.: 1
 Counter: 0020

Name: Message Type, Coded

Description of segment:

UN/EDIFACT			Implementation	
	Name	St Format	St Format	Use / Remarks
BGM				
C002	Document/message name	C	R	
1001	Document name code	C an..3	R an..3	Message Type, Coded The following explanations are intended to support a unique usage of the different message types: 380 = Commercial invoice 389 = Self-billed invoice
1131	Code list identification code	C an..17	N	not used
3055	Code list responsible agency code	C an..3	N	not used
1000	Document name	C an..35	N	not used
C106	Document/message identification	C	R	
1004	Document identifier	C an..35	R an..16	
1056	Version identifier	C an..9	N	not used
1060	Revision identifier	C an..6	N	not used
1225	Message function code	C an..3	N	not used
4343	Response type code	C an..3	N	not used

Comments:

Use code BGM 1001 = 389 only after agreement with Volvo and together with application of the Self-billed invoice process.

Example:

BGM+380+123456'

VOLVO GLOBAL INVOICE AP VERSION 2

UN/EDIFACT Message: Segment details

Segment: DTM
 Seq. No.: 3 Level: 1 **Date/time/period**
 Status: M Max. Occ.: 1
 Counter: 0030

Name: Message date

Description of segment:

UN/EDIFACT			Implementation	
	Name	St Format	St Format	Use / Remarks
DTM				
C507	Date/time/period	M	M	
2005	Date or time or period function code qualifier	M an..3	M an..3	The message date is perceived as synonym also for the invoice date.
2380	Date or time or period text	C an..35	R an.8	137 = Document/message date/time Date, on which a document or business signal was issued. <i>Required in the new EU Invoice directive</i>
2379	Date or time or period format code	C an..3	R an..3	
				102 = CCYYMMDD

Comments:

Example:

DTM+137:20041231:102'

VOLVO GLOBAL INVOICE AP VERSION 2

UN/EDIFACT Message: Segment details

Segment: DTM
 Seq. No.: 4 Level: 1 **Date/time/period**
 Status: D Max. Occ.: 1
 Counter: 0030

Name: Horizon start date

Description of segment:

UN/EDIFACT			Implementation	
	Name	St Format	St Format	Use / Remarks
DTM				
C507	Date/time/period	M	M	
2005	Date or time or period function code qualifier	M an..3	M an..3	Horizon start date
2380	Date or time or period text	C an..35	R n..12	158 = Horizon start date Start date of a given period
2379	Date or time or period format code	C an..3	R an..3	102 = CCYYMMDD 203 = CCYYMMDDHHMM

Comments:

Use this segment only after agreement with Volvo and only together with application of the Self-billed invoice process.

Example:

DTM+158:20041201:102'

VOLVO GLOBAL INVOICE AP VERSION 2

UN/EDIFACT Message: Segment details

Segment: DTM
 Seq. No.: 5 Level: 1 **Date/time/period**
 Status: D Max. Occ.: 1
 Counter: 0030

Name: Horizon end date

Description of segment:

UN/EDIFACT			Implementation	
	Name	St Format	St Format	Use / Remarks
DTM				
C507	Date/time/period	M	M	
2005	Date or time or period function code qualifier	M an..3	M an..3	Horizon end date
2380	Date or time or period text	C an..35	R n..12	159 = Horizon end date End date of a given period
2379	Date or time or period format code	C an..3	R an..3	102 = CCYYMMDD 203 = CCYYMMDDHHMM

Comments:

Use this segment only after agreement with Volvo and only together with application of the Self-billed invoice process.

Example:

DTM+159:20041231:102'

VOLVO GLOBAL INVOICE AP VERSION 2

UN/EDIFACT Message: Segment details

Segment: FTX
 Seq. No.: 6 Level: 1 **Free text**
 Status: D Max. Occ.: 4
 Counter: 0070

Name: Legal info free text

Description of segment:

UN/EDIFACT			Implementation	
	Name	St Format	St Format	Use / Remarks
FTX				
4451	Text subject code qualifier	M an..3	M an..3	Free Text Qualifier ABL = Government information REG = Regulatory information TXD = Tax declaration
4453	Free text function code	C an..3	N	not used
C107	Text reference	C	N	not used
4441	Free text description code	M an..17	N	not used
1131	Code list identification code	C an..17	N	not used
3055	Code list responsible agency code	C an..3	N	not used
C108	Text literal	C	R	
4440	Free text	M an..512	M an..256	A line of plain, non-structured text information.
4440	Free text	C an..512	D an..256	
4440	Free text	C an..512	D an..256	
4440	Free text	C an..512	N	not used
4440	Free text	C an..512	N	not used
3453	Language name code	C an..3	O an..3	Code specifying the language name. Notes: 1. Use ISO 639-1988.
4447	Free text format code	C an..3	N	not used

Comments:

Free text containing information or statements as required by legal environment.

Example:

F'TX+ABL+++Legal info text+EN'

VOLVO GLOBAL INVOICE AP VERSION 2

UN/EDIFACT Message: Segment details

Segment: FTX
 Seq. No.: 7 Level: 1 **Free text**
 Status: D Max. Occ.: 1
 Counter: 0070

Name: Payment instructions free text

Description of segment:

UN/EDIFACT			Implementation	
	Name	St Format	St Format	Use / Remarks
FTX				
4451	Text subject code qualifier	M an..3	M an..3	Text subject code qualifier AAB = Terms of payments
4453	Free text function code	C an..3	N	not used
C107	Text reference	C	N	not used
4441	Free text description code	M an..17	N	not used
1131	Code list identification code	C an..17	N	not used
3055	Code list responsible agency code	C an..3	N	not used
C108	Text literal	C	R	
4440	Free text	M an..512	M an..256	A line of plain, non-structured text information.
4440	Free text	C an..512	N	not used
4440	Free text	C an..512	N	not used
4440	Free text	C an..512	N	not used
4440	Free text	C an..512	N	not used
3453	Language name code	C an..3	O an..3	Code specifying the language name. Notes: 1. Use ISO 639-1988. Language name code
4447	Free text format code	C an..3	N	not used

Comments:

Use this segment group only after agreement with Volvo Customer and only together with application of the Self-billed invoice process.

Example:

'FTX+AAB+++Payment text+EN'

VOLVO GLOBAL INVOICE AP VERSION 2

UN/EDIFACT Message: Segment details

Group: **SG2** Status: R Max. Occ.: 1 Buyer

Party to whom merchandise and/or service is sold.
Required in the new EU Invoice directive

Segment: **NAD** Seq. No.: 10 Level: 1 **Name and address**
Status: M Max. Occ.: 1
Counter: 0230

Name: Buyer

Description of segment:

UN/EDIFACT		Implementation		
	Name	St Format	St Format	Use / Remarks
NAD				
3035	Party function code qualifier	M an..3	M an..3	BY = Buyer
C082	Party identification details	C	O	
3039	Party identifier	M an..35	M an..35	Unique identification of a party by an ID.
1131	Code list identification code	C an..17	N	not used
3055	Code list responsible agency code	C an..3	C an..3	Code specifying the agency responsible for a code list. Volvo will start to identify suppliers using a Volvo unique code. This will be as a value in the C082/3039 also in the Delivery instruction. 92 = Assigned by buyer or buyer's agent 91 = Assigned by seller or seller's agent
C058	Name and address	C	N	not used
3124	Name and address description	M an..35	N	not used
3124	Name and address description	C an..35	N	not used
3124	Name and address description	C an..35	N	not used
3124	Name and address description	C an..35	N	not used
3124	Name and address description	C an..35	N	not used
C080	Party name	C	R	Required in the new EU Invoice directive
3036	Party name	M an..35	M an..35	Single text line for specification of a name Required in the new EU Invoice directive
3036	Party name	C an..35	O an..35	see 3036 # 1
3036	Party name	C an..35	N	not used
3036	Party name	C an..35	N	not used
3036	Party name	C an..35	N	not used
3045	Party name format code	C an..3	N	not used
C059	Street	C	D	
3042	Street and number or post office box identifier	M an..35	D an..35	The name that identifies the location of a house or building: usually within a street as part of an address. Required in the new EU Invoice directive
3042	Street and number or post office box identifier	C an..35	O an..35	see 3042 # 1
3042	Street and number or post office box identifier	C an..35	N	not used

VOLVO GLOBAL INVOICE AP VERSION 2

UN/EDIFACT Message: Segment details

UN/EDIFACT		Implementation		
	Name	St Format	St Format	Use / Remarks
3042	Street and number or post office box identifier	C an..35	N	not used
3164	City name	C an..35	R an..35	The name of the city, town, or village of this address.
C819	Country sub-entity details	C	O	
3229	Country sub-entity name code	C an..9	O an..9	State or region within a country. The use of UN LoCodes is recommended.
1131	Code list identification code	C an..17	N	not used
3055	Code list responsible agency code	C an..3	N	not used
3228	Country sub-entity name	C an..70	N	not used
3251	Postal identification code	C an..17	R an..17	The identifier for one or more properties according to the postal service of that country; a group of letters and/or numbers added to the postal address to assist in the sorting of mail. Required in the new EU Invoice directive
3207	Country name code	C an..3	R an..3	Provides the country part of an address using a code. Use ISO3166 two alpha code. Required in the new EU Invoice directive

Comments:

Example:

NAD+BY+1234567::91++Company GMBH+Smallroad+smalltown++DE5409+DE ' '

VOLVO GLOBAL INVOICE AP VERSION 2

UN/EDIFACT Message: Segment details

Group: SG2 Status: R Max. Occ.: 1 Buyer

Group: SG3 Status: R Max. Occ.: 4 Buyer's reference number(s)
Required in the new EU Invoice directive

Segment: RFF Seq. No.: 11 Level: 2 **Reference**
Status: R Max. Occ.: 1
Counter: 0280

Name: Buyer's reference number(s)

Description of segment:

UN/EDIFACT			Implementation	
	Name	St Format	St Format	Use / Remarks
RFF				
C506	Reference	M	M	
1153	Reference code qualifier	M an..3	R an..3	
1154	Reference identifier	C an..70	R an..17	FC = Fiscal number AHP = Tax registration number VA = VAT registration number XA = Company/place registration number AHP: The registration number by which a company/organization is identified with the tax administration. VA: Unique number assigned by the relevant tax authority to identify a party for use in relation to Value Added Tax (VAT). Required in the new EU invoice directive FC: Tax payer's number. Number assigned to individual persons as well as to corporates by a public institution; this number is different from the VAT registration number. XA: Company and Place as legally required FC, AHP, XA is optional
1156	Document line identifier	C an..6	N	not used
4000	Reference version identifier	C an..35	N	not used
1060	Revision identifier	C an..6	N	not used

Comments:

Example:

RFF+VA:SE556013970001'

VOLVO GLOBAL INVOICE AP VERSION 2

UN/EDIFACT Message: Segment details

Group: SG2 Status: R Max. Occ.: 1 Ship-to

The party to which goods are to be shipped (consigned).

Segment: NAD Seq. No.: 12 Level: 1 **Name and address**
 Status: R Max. Occ.: 1
 Counter: 0230

Name: Ship-to

Description of segment:

UN/EDIFACT		Implementation		
Name	St Format	St Format	Use / Remarks	
NAD				
3035	Party function code qualifier	M an..3	M an..3	ST = Ship to
C082	Party identification details	C	R	
3039	Party identifier	M an..35	R an..35	Unique identification of a party by an ID.
1131	Code list identification code	C an..17	N	not used
3055	Code list responsible agency code	C an..3	R an..3	Code specifying the agency responsible for a code list.
				92 = Assigned by buyer or buyer's agent
C058	Name and address	C	N	not used
3124	Name and address description	M an..35	N	not used
3124	Name and address description	C an..35	N	not used
3124	Name and address description	C an..35	N	not used
3124	Name and address description	C an..35	N	not used
3124	Name and address description	C an..35	N	not used
C080	Party name	C	O	
3036	Party name	M an..35	M an..35	Single text line for specification of a name
3036	Party name	C an..35	O an..35	see 3036 # 1
3036	Party name	C an..35	N	not used
3036	Party name	C an..35	N	not used
3036	Party name	C an..35	N	not used
3045	Party name format code	C an..3	N	not used
C059	Street	C	D	
3042	Street and number or post office box identifier	M an..35	D an..35	The name that identifies the location of a house or building: usually within a street as part of an address.
3042	Street and number or post office box identifier	C an..35	O an..35	see 3042 # 1
3042	Street and number or post office box identifier	C an..35	N	not used
3042	Street and number or post office box identifier	C an..35	N	not used
3164	City name	C an..35	O an..35	The name of the city, town, or village of this address.
C819	Country sub-entity details	C	O	
3229	Country sub-entity name code	an..9	M an..9	State or region within a country. The use of UN LoCodes is

VOLVO GLOBAL INVOICE AP VERSION 2

UN/EDIFACT Message: Segment details

UN/EDIFACT			Implementation	
	Name	St Format	St Format	Use / Remarks
		C		recommended.
1131	Code list identification code	C an..17	N	not used
3055	Code list responsible agency code	C an..3	N	not used
3228	Country sub-entity name	C an..70	N	not used
3251	Postal identification code	C an..17	O an..17	The identifier for one or more properties according to the postal service of that country; a group of letters and/or numbers added to the postal address to assist in the sorting of mail.
3207	Country name code	C an..3	O an..3	Provides the country part of an address using a code. Use ISO3166 two alpha code.

Comments:

Example:

NAD+ST+123456::92++name+street / number+City++10369+SE'

VOLVO GLOBAL INVOICE AP VERSION 2

UN/EDIFACT Message: Segment details

Group: **SG2** Status: R Max. Occ.: 1 Seller

Seller: The party who has liability to fulfill the contract. It is normally used in the sense of supplier.

Segment: **NAD** Seq. No.: 13 Level: 1 **Name and address**
 Status: M Max. Occ.: 1
 Counter: 0230

Name: Seller

Description of segment:

UN/EDIFACT		Implementation		
	Name	St Format	St Format	Use / Remarks
NAD				
3035	Party function code qualifier	M an..3	M an..3	SE - party selling merchandise to a buyer. SE = Seller
C082	Party identification details	C	R	
3039	Party identifier	M an..35	R an..35	Unique identification of a party by an ID. Required in the new EU Invoice directive
1131	Code list identification code	C an..17	N	not used
3055	Code list responsible agency code	C an..3	R an..3	Code specifying the agency responsible for a code list. 92 = Assigned by buyer or buyer's agent
C058	Name and address	C	N	not used
3124	Name and address description	M an..35	N	not used
3124	Name and address description	C an..35	N	not used
3124	Name and address description	C an..35	N	not used
3124	Name and address description	C an..35	N	not used
3124	Name and address description	C an..35	N	not used
C080	Party name	C	R	Required in the new EU Invoice directive
3036	Party name	M an..35	M an..35	
3036	Party name	C an..35	O an..35	Single text line for specification of a name see 3036 # 1
3036	Party name	C an..35	N	not used
3036	Party name	C an..35	N	not used
3036	Party name	C an..35	N	not used
3045	Party name format code	C an..3	N	not used
C059	Street	C	D	
3042	Street and number or post office box identifier	M an..35	D an..35	The name that identifies the location of a house or building: usually within a street as part of an address. Required in the new EU Invoice directive Seller's Street Line
3042	Street and number or post office box identifier	C an..35	O an..35	see 3042 # 1
3042	Street and number or post office box identifier	C an..35	N	not used
3042	Street and number or post office box identifier	C an..35	N	not used

VOLVO GLOBAL INVOICE AP VERSION 2

UN/EDIFACT Message: Segment details

UN/EDIFACT		Implementation		
	Name	St Format	St Format	Use / Remarks
	box identifier			
3164	City name	C an..35	R an..35	The name of the city, town, or village of this address.
C819	Country sub-entity details	C	O	
3229	Country sub-entity name code	C an..9	O an..9	State or region within a country. The use of UN LoCodes is recommended.
1131	Code list identification code	C an..17	N	not used
3055	Code list responsible agency code	C an..3	N	not used
3228	Country sub-entity name	C an..70	N	not used
3251	Postal identification code	C an..17	R an..17	The identifier for one or more properties according to the postal service of that country; a group of letters and/or numbers added to the postal address to assist in the sorting of mail. Required in the new EU Invoice directive
3207	Country name code	C an..3	R an..3	Provides the country part of an address using a code. Use ISO3166 two alpha code. Required in the new EU Invoice directive

Comments:

Required in the new EU Invoice directive

Example:

NAD+SE+1234567:::92++Company GMBH+Smallroad+smalltown++DE5409+DE '

VOLVO GLOBAL INVOICE AP VERSION 2

UN/EDIFACT Message: Segment details

Group: SG2 Status: R Max. Occ.: 1 Seller
Group: SG3 Status: R Max. Occ.: 4 Seller's reference number(s)
Segment: RFF Seq. No.: 14 Level: 2 **Reference**
 Status: M Max. Occ.: 1
 Counter: 0280

Name: Sellers's reference number(s)

Description of segment:

UN/EDIFACT		Implementation		
	Name	St Format	St Format	Use / Remarks
RFF				
C506	Reference	M	R	
1153	Reference code qualifier	M an..3	R an..3	
1154	Reference identifier	C an..70	R an..17	FC = Fiscal number VA = VAT registration number XA = Company/place registration number AHP = Tax registration number XA: Identifier of a company in the commercial registry FC: Tax payer's number. Number assigned to individual persons as well as to corporates by a public institution; this number is different from the VAT registration number. AHP: The registration number by which a company/organization is identified with the tax administration. VA: Unique number assigned by the relevant tax authority to identify a party for use in relation to Value Added Tax (VAT). VA: Required in the new EU Invoice directive
1156	Document line identifier	C an..6	N	not used
4000	Reference version identifier	C an..35	N	not used
1060	Revision identifier	C an..6	N	not used

Comments:

Required in the new EU Invoice directive

Example:

RFF+VA:DE811123456'

VOLVO GLOBAL INVOICE AP VERSION 2

UN/EDIFACT Message: Segment details

Group: **SG2** Status: R Max. Occ.: 1 Seller as officially registered

To be used when required in National Legislation.
Sellers Party as officially registered with government. Used when the goods and invoice are created from different countries and a legal agent is required in the country of the consignor.

Segment: **NAD** Seq. No.: 15 Level: 1 **Name and address**
Status: D Max. Occ.: 1
Counter: 0230

Name: Seller's official address

Description of segment:

UN/EDIFACT			Implementation	
	Name	St Format	St Format	Use / Remarks
NAD				
3035	Party function code qualifier	M an..3	M an..3	FH = Seller as officially registered
C082	Party identification details	C	N	not used
3039	Party identifier	M an..35	N	not used
1131	Code list identification code	C an..17	N	not used
3055	Code list responsible agency code	C an..3	N	not used
C058	Name and address	C	M	
3124	Name and address description	M an..35	M an..35	A text line containing non-structured address information.
3124	Name and address description	C an..35	O an..35	see 3124 # 1
3124	Name and address description	C an..35	O an..35	see 3124 # 1
3124	Name and address description	C an..35	O an..35	see 3124 # 1
3124	Name and address description	C an..35	O an..35	see 3124 # 1
C080	Party name	C	N	not used
3036	Party name	M an..35	N	not used
3036	Party name	C an..35	N	not used
3036	Party name	C an..35	N	not used
3036	Party name	C an..35	N	not used
3036	Party name	C an..35	N	not used
3036	Party name	C an..35	N	not used
3045	Party name format code	C an..3	N	not used
C059	Street	C	N	not used
3042	Street and number or post office box identifier	M an..35	N	not used
3042	Street and number or post office box identifier	C an..35	N	not used
3042	Street and number or post office box identifier	C an..35	N	not used
3042	Street and number or post office box identifier	C an..35	N	not used
3164	City name	C an..35	N	not used
C819	Country sub-entity details	C	N	not used

VOLVO GLOBAL INVOICE AP VERSION 2

UN/EDIFACT Message: Segment details

UN/EDIFACT			Implementation	
	Name	St Format	St Format	Use / Remarks
3229	Country sub-entity name code	C an..9	N	not used
1131	Code list identification code	C an..17	N	not used
3055	Code list responsible agency code	C an..3	N	not used
3228	Country sub-entity name	C an..70	N	not used
3251	Postal identification code	C an..17	N	not used
3207	Country name code	C an..3	N	not used

Comments:

Example:

NAD+FH++Seller Inc.:Sample street 99:Sample town:DE-80559'

VOLVO GLOBAL INVOICE AP VERSION 2

UN/EDIFACT Message: Segment details

Group: SG2 Status: R Max. Occ.: 1 Payee

[Party to whom a payment has to be made.](#)

To be used even if the Payee is equal to Seller. If the seller is introducing a new party to receive payment, Volvo has to be notified separately.

Segment: NAD Seq. No.: 16 Level: 1 **Name and address**
 Status: M Max. Occ.: 1
 Counter: 0230

Name: Payee

Description of segment:

UN/EDIFACT		Implementation		
	Name	St Format	St Format	Use / Remarks
NAD				
3035	Party function code qualifier	M an..3	M an..3	PE = Payee
C082	Party identification details	C	O	
3039	Party identifier	M an..35	M an..35	Unique identification of a party by an ID.
1131	Code list identification code	C an..17	N	not used
3055	Code list responsible agency code	C an..3	R an..3	Code specifying the agency responsible for a code list.
				92 = Assigned by buyer or buyer's agent
C058	Name and address	C	N	not used
3124	Name and address description	M an..35	N	not used
3124	Name and address description	C an..35	N	not used
3124	Name and address description	C an..35	N	not used
3124	Name and address description	C an..35	N	not used
3124	Name and address description	C an..35	N	not used
C080	Party name	C	R	
3036	Party name	M an..35	M an..35	Single text line for specification of a name
3036	Party name	C an..35	O an..35	Payee's Name line 2
3036	Party name	C an..35	N	not used
3036	Party name	C an..35	N	not used
3036	Party name	C an..35	N	not used
3045	Party name format code	C an..3	N	not used
C059	Street	C	D	
3042	Street and number or post office box identifier	M an..35	D an..35	The name that identifies the location of a house or building: usually within a street as part of an address.
3042	Street and number or post office box identifier	C an..35	O an..35	Payee's Street Line 2
3042	Street and number or post office box identifier	C an..35	N	not used
3042	Street and number or post office box identifier	C an..35	N	not used
3164	City name	C an..35	R an..35	The name of the city, town, or village of this address.

VOLVO GLOBAL INVOICE AP VERSION 2

UN/EDIFACT Message: Segment details

UN/EDIFACT			Implementation	
	Name	St Format	St Format	Use / Remarks
C819	Country sub-entity details	C	O	
3229	Country sub-entity name code	C an..9	O an..9	State or region within a country. The use of UN LoCodes is recommended.
1131	Code list identification code	C an..17	N	not used
3055	Code list responsible agency code	C an..3	N	not used
3228	Country sub-entity name	C an..70	N	not used
3251	Postal identification code	C an..17	R an..17	The identifier for one or more properties according to the postal service of that country; a group of letters and/or numbers added to the postal address to assist in the sorting of mail.
3207	Country name code	C an..3	R an..3	Provides the country part of an address using a code. Use ISO3166 two alpha code.

Comments:

Example:

NAD+PE+1234567::92++Company GMBH+Smallroad+smalltown++DE5409+DE'

VOLVO GLOBAL INVOICE AP VERSION 2

UN/EDIFACT Message: Segment details

Group: SG2 Status: R Max. Occ.: 1 Tax representative party

If a company has a VAT registration with an appointed agent/representative in an EU member state where he is not established, a care of address to the representative must be stated on the invoice.

Segment: NAD Seq. No.: 18 Level: 1 **Name and address**
 Status: D Max. Occ.: 1
 Counter: 0230

Name: Tax representative

Description of segment:

UN/EDIFACT			Implementation	
	Name	St Format	St Format	Use / Remarks
NAD				
3035	Party function code qualifier	M an..3	M an..3	LC = Party declaring the Value Added Tax (VAT)
C082	Party identification details	C	D	Use this composit after agreement with Volvo.
3039	Party identifier	M an..35	D an..35	
1131	Code list identification code	C an..17	N	not used
3055	Code list responsible agency code	C an..3	D an..3	
C058	Name and address	C	N	not used
3124	Name and address description	M an..35	N	not used
3124	Name and address description	C an..35	N	not used
3124	Name and address description	C an..35	N	not used
3124	Name and address description	C an..35	N	not used
3124	Name and address description	C an..35	N	not used
C080	Party name	C	R	
3036	Party name	M an..35	M an..35	Single text line for specification of a name
3036	Party name	C an..35	D an..35	C/O address (When applicable)
3036	Party name	C an..35	N	not used
3036	Party name	C an..35	N	not used
3036	Party name	C an..35	N	not used
3045	Party name format code	C an..3	N	not used
C059	Street	C	D	
3042	Street and number or post office box identifier	M an..35	D an..35	The name that identifies the location of a house or building: usually within a street as part of an address.
3042	Street and number or post office box identifier	C an..35	C an..35	see 3042 # 1
3042	Street and number or post office box identifier	C an..35	N	not used
3042	Street and number or post office box identifier	C an..35	N	not used
3164	City name	C an..35	C an..35	The name of the city, town, or village of this address.
C819	Country sub-entity details	C	O	

VOLVO GLOBAL INVOICE AP VERSION 2

UN/EDIFACT Message: Segment details

UN/EDIFACT			Implementation	
	Name	St Format	St Format	Use / Remarks
3229	Country sub-entity name code	C an..9	O an..9	State or region within a country. The use of UN LoCodes is recommended.
1131	Code list identification code	C an..17	N	not used
3055	Code list responsible agency code	C an..3	N	not used
3228	Country sub-entity name	C an..70	N	not used
3251	Postal identification code	C an..17	R an..17	The identifier for one or more properties according to the postal service of that country; a group of letters and/or numbers added to the postal address to assist in the sorting of mail.
3207	Country name code	C an..3	R an..3	Provides the country part of an address using a code. Use ISO3166 two alpha code.

Comments:

Example:

NAD+LC+++ABC Inc.+Small lane 35+Newtown++WC2-5CD+GB'

VOLVO GLOBAL INVOICE AP VERSION 2

UN/EDIFACT Message: Segment details

Group: **SG7** Status: R Max. Occ.: 1 Invoice and home currency
Required in the new EU Invoice directive

Segment: **CUX** Seq. No.: 20 Level: 1 Currencies
Status: M Max. Occ.: 1
Counter: 0410

Name: Currencies

Description of segment:

UN/EDIFACT			Implementation	
	Name	St Format	St Format	Use / Remarks
CUX				
C504	Currency details	C	C	
6347	Currency usage code qualifier	M an..3	M an..3	
6345	Currency identification code	C an..3	R an..3	2 = Reference currency Code specifying a monetary unit. Notes: 1. Use ISO 4217 three alpha code. Invoicing currency Code specifying a monetary unit. Use ISO 4217 three alpha code.
6343	Currency type code qualifier	C an..3	R an..3	
6348	Currency rate	C n..4	N	4 = Invoicing currency not used
C504	Currency details	C	D	Target Currency specifies the currency that has to be used for accounting, taxation, or calculation purposes in those cases, when a monetary amount is given in a different currency. Code specifying a monetary unit. Use ISO 4217 three alpha code. Only to be used after agreement with Volvo.
6347	Currency usage code qualifier	M an..3	M an..3	
6345	Currency identification code	C an..3	R an..3	3 = Target currency Code specifying a monetary unit. Use ISO 4217 three alpha code.
6343	Currency type code qualifier	C an..3	R an..3	Currency Purpose
6348	Currency rate	C n..4	N	3 = Home currency not used
5402	Currency exchange rate	C n..12	D n..12	The rate at which one specified currency is expressed in another specified currency. Currency Conversion Rate should be given with 5 decimals.
6341	Exchange rate currency market identifier	C an..3	N	not used

Comments:

A segment describing an invoicing currency and a home currency with the appropriate rate of exchange for those cases where the transformation of currency is necessary.
Required in the new EU Invoice directive

It has to contain the invoice currency and may contain home currency.
Invoicing currency is always to be given in the first occurrence of the C504#1 as follows:

VOLVO GLOBAL INVOICE AP VERSION 2

UN/EDIFACT Message: Segment details

6347 '2', 6345 Currency, 6343 '4'

If a different home currency is to be given, the second occurrence of C504 in the CUX segment is to be used as follows:
second 6347: '3' , second 6345 contains the currency, and second 6343: '3'. Data element 5402 contains the currency conversion rate.

Home currency: in some cases it is a requirement that, for invoicing in foreign currency, the invoice taxable and tax (e.g. VAT) amounts must also be expressed in home currency. Relating this to the CUX segments, authorities would require the invoicing currency and the home currency to be shown, together with the applied rate of exchange (element 5402)

Example:

CUX+2 : EUR : 4+3 : SEK : 3+9 . 98700 '

VOLVO GLOBAL INVOICE AP VERSION 2

UN/EDIFACT Message: Segment details

Group: **SG8** Status: D Max. Occ.: 10 Payment instructions

Use this segment group only after agreement with Volvo and only together with application of the Self-billed invoice process.

Segment: **PYT** Seq. No.: 22 Level: 1 **Payment terms**
 Status: D Max. Occ.: 1
 Counter: 0440

Name: **Payment terms**

Description of segment:

UN/EDIFACT		Implementation		
	Name	St Format	St Format	Use / Remarks
PYT				
4279	Payment terms type code qualifier	M an..3	M an..3	Conditions of payment between the parties to a transaction. 1 = Basic
C019	Payment terms	C	O	
4277	Payment terms description identifier	C an..17	N	not used
1131	Code list identification code	C an..17	N	not used
3055	Code list responsible agency code	C an..3	N	not used
4276	Payment terms description	C an..35	N	not used
2475	Time reference code	C an..3	M an..3	Code referencing a point in time. Reference to the date of a specific event, e.g. issue date of a specified business document (for example invoice date). 5 = Date of invoice
2009	Terms time relation code	C an..3	O an..3	Code relating terms to a reference date, time or period. Date (Relation) 1 = Reference date 2 = Before reference 3 = After reference 4 = End of 10-day period containing the reference date 5 = End of 2-week period containing the reference date 6 = End of month containing the reference date 8 = End of quarter containing the reference date 9 = End of year containing the reference date 12 = End of half year containing the reference date
2151	Period type code	C an..3	O an..3	Type Of Period Coded 3M = Quarter 6M = Half-year D = Day M = Month P = Four month period W = Week Y = Year
2152	Period count quantity	C n..3	O n..3	Actual number of periods (days, weeks etc.) belonging to a

VOLVO GLOBAL INVOICE AP VERSION 2

UN/EDIFACT Message: Segment details

UN/EDIFACT			Implementation	
	Name	St Format	St Format	Use / Remarks
				schedule or similar time horizons. Number Of Periods

Comments:

Example:

PYT+1++5:1:D:10'

VOLVO GLOBAL INVOICE AP VERSION 2

UN/EDIFACT Message: Segment details

Group: **SG26** Status: R Max. Occ.: 9999999 Line item section

Segment: **IMD** Seq. No.: 26 Level: 2 **Item description**
 Status: R Max. Occ.: 1
 Counter: 1130

Name: Description of article or service

Description of segment:

UN/EDIFACT		Implementation		
	Name	St Format	St Format	Use / Remarks
IMD				
7077	Description format code	C an..3	N	not used
C272	Item characteristic	C	N	not used
7081	Item characteristic code	C an..3	N	not used
1131	Code list identification code	C an..17	N	not used
3055	Code list responsible agency code	C an..3	N	not used
C273	Item description	C	R	
7009	Item description code	C an..17	N	not used
1131	Code list identification code	C an..17	N	not used
3055	Code list responsible agency code	C an..3	N	not used
7008	Item description	C an..256	R an..70	Required in the new Eu Invoice directive
7008	Item description	C an..256	N	not used
3453	Language name code	C an..3	O an..3	Code specifying the language name.
				Notes: 1. Use ISO 639-1988.
7383	Surface or layer code	C an..3	N	not used

Comments:

Required in the new EU Invoice directive

Example:

IMD+++:::left brake mount'

VOLVO GLOBAL INVOICE AP VERSION 2

UN/EDIFACT Message: Segment details

Group: **SG26** Status: R Max. Occ.: 9999999 Line item section

Segment: **QTY** Seq. No.: 27 Level: 2 **Quantity**
 Status: R Max. Occ.: 1
 Counter: 1150

Name: Invoiced quantity

Description of segment:

UN/EDIFACT		Implementation		
	Name	St Format	St Format	Use / Remarks
QTY				
C186	Quantity details	M	M	
6063	Quantity type code qualifier	M an..3	M an..3	
6060	Quantity	M an..35	M n..10	47 = Invoiced quantity Invoiced quantity value Decimals not allowed Required in the new EU Invoice directive
6411	Measurement unit code	C an..8	D an..3	Code specifying the unit of measurement. Recommend use UN/ECE Recommendation 20, Common code. Use the Measurement unit code given in the Order

Comments:

If a value of 6411 is not present, quantity is regarded as per pieces

Example:

QTY+47:10:LTR'

VOLVO GLOBAL INVOICE AP VERSION 2

UN/EDIFACT Message: Segment details

Group: **SG26** Status: R Max. Occ.: 9999999 Line item section

Segment: **QTY** Seq. No.: 28 Level: 2 **Quantity**
 Status: D Max. Occ.: 4
 Counter: 1150

Name: Other quantities

Description of segment:

UN/EDIFACT		Implementation		
	Name	St Format	St Format	Use / Remarks
QTY				
C186	Quantity details	M	M	
6063	Quantity type code qualifier	M an..3	M an..3	12 = Despatch quantity 48 = Received quantity
6060	Quantity	M an..35	M n..10	Despatched quantity value The quantity received by the ship-to party. Decimals not allowed
6411	Measurement unit code	C an..8	D an..3	Code specifying the unit of measurement. Recommend use UN/ECE Recommendation 20, Common code. Use the Measurement unit code given in the Order

Comments:

Use this segment only after agreement with Volvo and only together with application of the Self-billed invoice process.
 If a value of 6411 is not present, quantity is regarded as per pieces

Example:

QTY+12:1'

VOLVO GLOBAL INVOICE AP VERSION 2

UN/EDIFACT Message: Segment details

Group: **SG26** Status: R Max. Occ.: 9999999 Line item section

Segment: **ALI** Seq. No.: 29 Level: 2 **Additional information**
 Status: D Max. Occ.: 1
 Counter: 1170

Name: Additional information

Description of segment:

UN/EDIFACT			Implementation	
	Name	St Format	St Format	Use / Remarks
ALI 3239	Country of origin name code	C an..3	R a2	Identification of the name of the country or other geographical entity as defined in ISO 3166-1. Notes: 1. Use ISO 3166-1 two alpha country code. Country Of Origin Coded Required for articles with origin from outside the European union, if any party is within the union. Required also for goods sent to USA, regardless of origin.
9213	Duty regime type code	C an..3	N	not used
4183	Special condition code	C an..3	D an..2	EDIFACT 4183 (excerpt) An indication for Customs of the type of contract under which goods are supplied (code list ODDC013). AIAG uses this element for government reporting of goods and services traded internationally under the North American Free Trade Agreement. 7 = Subject to commission 35 = Consigned to 70 = Supply for sale 'on approval' or after trial 71 = Exchange of goods compensated in kind 72 = Sale for export by foreigner travelling in member state concerned 73 = Samples 74 = Temporary export, loan or hire 75 = Temporary export, leasing 76 = Temporary export, operation for job processing 77 = Temporary export, repair and maintenance against payment 78 = Temporary export, repair and maintenance free of charge 79 = Reimport following job processing 80 = Reimport following repair and maintenance against payment 81 = Reimport following repair and maintenance free of charge 82 = Supply of goods under joint production contract for defence purposes 83 = Supply of goods under joint production contract for civil purposes 84 = Supply of goods for warehousing for foreign account 85 = Supply of goods as gifts by country of

VOLVO GLOBAL INVOICE AP VERSION 2

UN/EDIFACT Message: Segment details

UN/EDIFACT			Implementation	
	Name	St Format	St Format	Use / Remarks
				despatch and food aid under European Economic Community regulation 86 = Supply of goods for disaster relief equipment 87 = Supply of goods as transactions without compensation 88 = Supply of goods as returned consignment on which payment has been made 89 = Supply of goods as returned consignment on which no payment has been made 90 = Supply of goods in standard exchange giving rise to payment 91 = Supply of goods in standard exchange not giving rise to payment 92 = Supply of goods/services in standard exchange under warranty
4183	Special condition code	C an..3	N	not used
4183	Special condition code	C an..3	N	not used
4183	Special condition code	C an..3	N	not used
4183	Special condition code	C an..3	N	not used

Comments:

Use this segment by legal requirements (Use Element 4183 for business with USA)

Example:

AL'I+PL'

VOLVO GLOBAL INVOICE AP VERSION 2

UN/EDIFACT Message: Segment details

Group: **SG26** Status: R Max. Occ.: 9999999 Line item section

Segment: **DTM** Seq. No.: 30 Level: 2 **Date/time/period**
 Status: D Max. Occ.: 35
 Counter: 1180

Name: Goods receipt date

Description of segment:

UN/EDIFACT		Implementation		
	Name	St Format	St Format	Use / Remarks
DTM				
C507	Date/time/period	M	M	
2005	Date or time or period function code qualifier	M an..3	M an..3	50 = Goods receipt date/time
2380	Date or time or period text	C an..35	R an..12	
2379	Date or time or period format code	C an..3	R an..3	
				102 = CCYMMDD
				203 = CCYMMDDHHMM

Comments:

Use this segment only after agreement with Volvo and only together with application of the Self-billed invoice process.

Example:

DTM+50:20041214:102'

VOLVO GLOBAL INVOICE AP VERSION 2

UN/EDIFACT Message: Segment details

Group: **SG26** Status: R Max. Occ.: 9999999 Line item section

Segment: **GIN** Seq. No.: 31 Level: 2 **Goods identity number**
 Status: D Max. Occ.: 1000
 Counter: 1190

Name: Goods identity number

Description of segment:

UN/EDIFACT		Implementation		
Name	St Format	St Format	Use / Remarks	
GIN				
7405 Object identification code qualifier	M an..3	M an..3		BN = Serial number VV = Vehicle identity number EE = Engine number
C208 Identity number range	M	M		
7402 Object identifier	M an..35	R an..35		Unique number affixed by the manufacturer to individual pieces of products for identification purposes - serial numbers of the articles The repetition 2 provides a means for transmission of ranges from - to Unique number affixed by the manufacturer to individual pieces of products for identification purposes - VIN of the parts / assemblies The repetition 2 provides a means for transmission of ranges from - to
7402 Object identifier	C an..35	N		not used
C208 Identity number range	C	N		not used
7402 Object identifier	M an..35	N		not used
7402 Object identifier	C an..35	N		not used
C208 Identity number range	C	N		not used
7402 Object identifier	M an..35	N		not used
7402 Object identifier	C an..35	N		not used
C208 Identity number range	C	N		not used
7402 Object identifier	M an..35	N		not used
7402 Object identifier	C an..35	N		not used
C208 Identity number range	C	N		not used
7402 Object identifier	M an..35	N		not used
7402 Object identifier	C an..35	N		not used

Comments:

Use this segment only after agreement with Volvo and only together with application of the Self-billed invoice process.

Example:

GIN+BN+SN1234567890'

VOLVO GLOBAL INVOICE AP VERSION 2

UN/EDIFACT Message: Segment details

Group: **SG26** Status: R Max. Occ.: 9999999 Line item section
Group: **SG29** Status: R Max. Occ.: 1 Calculation gross price
Segment: **PRI** Seq. No.: 33 Level: 2 **Price details**
 Status: M Max. Occ.: 1
 Counter: 1340

Name: Price details

Description of segment:

UN/EDIFACT		Implementation		
	Name	St Format	St Format	Use / Remarks
PRI				
C509	Price information	C	R	
5125	Price code qualifier	M an..3	M an..3	
5118	Price amount	C n..15	R n..15	AAB = Calculation gross Unit gross price amount in price currency units Maximum 2 Decimals
5375	Price type code	C an..3	N	not used
5387	Price specification code	C an..3	N	not used
5284	Unit price basis quantity	C n..9	D n..9	Basis on which the unit price/rate applies. The values 1, 100 and 1000 are approved. Default value is 1.
6411	Measurement unit code	C an..8	D an..3	Code specifying the unit of measurement. Recommend use UN/ECE Recommendation 20, Common code. Use the Measurement unit code given in the Order
5213	Sub-line item price change operation code	C an..3	N	not used

Comments:

Price without charges, this represents the gross price applicable to the line, but does not include any charges that may be applicable to the line and which are deductible from the gross price.

If a value of 6411 is not present, quantity is regarded as per pieces

Example:

PRI+AAB:100'

VOLVO GLOBAL INVOICE AP VERSION 2

UN/EDIFACT Message: Segment details

Group: SG26 Status: R Max. Occ.: 9999999 Line item section
Group: SG30 Status: R Max. Occ.: 10 References to messages
Segment: DTM Seq. No.: 35 Level: 3 **Date/time/period**
 Status: R Max. Occ.: 1
 Counter: 1410

Name: Reference message date

Description of segment:

UN/EDIFACT			Implementation	
	Name	St Format	St Format	Use / Remarks
DTM				
C507	Date/time/period	M	M	
2005	Date or time or period function code qualifier	M an..3	M an..3	
2380	Date or time or period text	C an..35	R an..8	171 = Reference date/time Despatch Advise Document Date/Time
2379	Date or time or period format code	C an..3	R an..3	
				102 = CCYYMMDD

Comments:

Required for qualifier AAK in RFF segment above

Example:

DTM+171:20041212:102'

VOLVO GLOBAL INVOICE AP VERSION 2

UN/EDIFACT Message: Segment details

Group: **SG26** Status: R Max. Occ.: 9999999 Line item section
Group: **SG34** Status: R Max. Occ.: 5 VAT or other tax rate and amount for line item
Segment: **TAX** Seq. No.: 36 Level: 2 **Duty/tax/fee details**
 Status: M Max. Occ.: 1
 Counter: 1560

Name: VAT or other tax rate line item

Description of segment:

UN/EDIFACT			Implementation	
	Name	St Format	St Format	Use / Remarks
TAX				
5283	Duty or tax or fee function code qualifier	M an..3	M an..3	Code qualifying the function of duty or tax or fee. 7 = Tax
C241	Duty/tax/fee type	C	R	
5153	Duty or tax or fee type name code	C an..3	R an..3	Code qualifying the function of a duty or tax or fee. Code specifying a type of duty, tax or fee. Code OTH shall be used when the tax in question is not VAT or another tax code. AAG = Harmonised sales tax, Canadian AAH = Quebec sales tax AAI = Canadian provincial sales tax BOL = Stamp duty (Imposta di Bollo) GST = Goods and services tax LOC = Local sales tax OTH = Other taxes STT = State/provincial sales tax VAT = Value added tax
1131	Code list identification code	C an..17	N	not used
3055	Code list responsible agency code	C an..3	N	not used
5152	Duty or tax or fee type name	C an..35	N	not used
C533	Duty/tax/fee account detail	C	N	not used
5289	Duty or tax or fee account code	M an..6	N	not used
1131	Code list identification code	C an..17	N	not used
3055	Code list responsible agency code	C an..3	N	not used
5286	Duty or tax or fee assessment basis quantity	C an..15	N	not used
C243	Duty/tax/fee detail	C	R	
5279	Duty or tax or fee rate code	C an..7	N	not used
1131	Code list identification code	C an..17	N	not used
3055	Code list responsible agency code	C an..3	N	not used
5278	Duty or tax or fee rate	C an..17	R n..7	Rate (percentage) of the specified tax.

VOLVO GLOBAL INVOICE based on INVOIC / UN D.03A S3

Document Number
Generated by GEFEG EDIFIX®

54

Issue: 05

Dated: 2008-06-26

VOLVO GLOBAL INVOICE AP VERSION 2

UN/EDIFACT Message: Segment details

UN/EDIFACT			Implementation	
	Name	St Format	St Format	Use / Remarks
				<p>Maximum 3 Decimals</p> <p>The tax rate (numeric) should be presented as follows: 19.5% ==> :19.500. In case of VAT exemption use 0.000.</p> <p>Maximum 3 Decimals</p>
5273	Duty or tax or fee rate basis code	C an..12	N	not used
1131	Code list identification code	C an..17	N	not used
3055	Code list responsible agency code	C an..3	N	not used
5305	Duty or tax or fee category code	C an..3	R an..3	<p>Code specifying a duty or tax or fee category.</p> <p>Under 6th EU directive, any exemption from tax has to be declared more detailed. There are several provisions in the directive, which allow exemption. In the European environment it is necessary to state this reason whenever the invoice issuer declares an invoice item or the whole invoice to be VAT exempt.</p> <p>For more Information use guidelines: Reference to Codelist VAT Category code (Tax Exemption Reason Codes list at Volvo IT's EDI homepage)</p> <p>The use of any valid EDIFACT code is permitted, the trading partners may limit the codes in accordance with business and legal requirements.</p> <p>(1) Codes created to comply with the European invoicing directive. These codes are not yet part of the official EDIFACT code list. In Europe it is recommended or may be even required to use these more specific codes instead of code E .</p> <p>E = Exempt from tax S = Standard rate</p> <p>AAA = Exempt - Article 15 of Directive 77/388/EC (1) AAB = Exempt - Article 16 of Directive 77/388/EC (1) AAC = Exempt - Article 28c(A) of Directive 77/388/EC (1) AAE = Exempt - Article 28b(C) (D) (E) (F) of Directive 77/388/EC (1) AAF = Exempt - Article 26b(B) of Directive 77/388/EC (1) AAG = Exempt - Article 13 of Directive 77/388/EC (1) AAH = Margin Scheme - Article 26a of Directive 77/388/EC (1) AAI = Margin - Article 26 of Directive 77/388/EC (1) AAJ = Reverse Charge - Article 26b(F) of Directive 77/388/EC (1) AAK = Reverse Charge - Article 21 1.a of Directive 77/388/EC (1) AAL = Reverse Charge - 2nd subparagraph of Article 16(1) of Directive 77/388/EC (1) AAM = New Means of Transport - Article 28a(2) of Directive 77/388/EC (1) AAN = Exempt - Article 28c(E)(3) of Directive 77/388/EC Triangulation (1) AAO = Reverse Charge - Article 9.2.e of Directive 77/388/EC (1)</p>
3446	Party tax identifier	C an..20	N	not used
1227	Calculation sequence code	C an..3	N	not used

Comments:

When sending a message with data element 5278 in the TAX segment, the value added tax rate (numeric) should be presented in an alpha-numeric field as follows: 19,5% ==> :19.500. In case of VAT exemption use 0.000.

VOLVO GLOBAL INVOICE AP VERSION 2

UN/EDIFACT Message: Segment details

Example:

TAX+7+VAT+++:::16.000+S'

VOLVO GLOBAL INVOICE AP VERSION 2

UN/EDIFACT Message: Segment details

Group: SG26 Status: R Max. Occ.: 9999999 Line item section
Group: SG34 Status: R Max. Occ.: 5 VAT or other tax rate and amount for line item
Segment: MOA Seq. No.: 37 Level: 3 **Monetary amount**
 Status: R Max. Occ.: 1
 Counter: 1570

Name: VAT or other tax amount line item

Description of segment:

UN/EDIFACT		Implementation		
	Name	St Format	St Format	Use / Remarks
MOA				
C516	Monetary amount	M	M	
5025	Monetary amount type code qualifier	M an..3	M an..3	
5004	Monetary amount	C n..35	R n..15	124 = Tax amount Value of a tax amount in currency units Maximum 2 Decimals Tax Amount
6345	Currency identification code	C an..3	N	not used
6343	Currency type code qualifier	C an..3	N	not used
4405	Status description code	C an..3	N	not used

Comments:

Example:

MOA+124:160'

VOLVO GLOBAL INVOICE AP VERSION 2

UN/EDIFACT Message: Segment details

Group: **SG26** Status: R Max. Occ.: 9999999 Line item section

Group: **SG39** Status: D Max. Occ.: 10 Charges

Only to be used after agreement and related to charges after agreement with Volvo.

Segment: **ALC** Seq. No.: 38 Level: 2 **Allowance or charge**
 Status: M Max. Occ.: 1
 Counter: 1730

Name: Charges

Description of segment:

UN/EDIFACT			Implementation	
	Name	St Format	St Format	Use / Remarks
ALC				
5463	Allowance or charge code qualifier	M an..3	R an..3	Allowance/Charge Qualifier C = Charge
C552	Allowance/charge information	C	N	not used
1230	Allowance or charge identifier	C an..35	N	not used
5189	Allowance or charge identification code	C an..3	N	not used
4471	Settlement means code	C an..3	N	not used
1227	Calculation sequence code	C an..3	N	not used
C214	Special services identification	C	R	
7161	Special service description code	C an..3	R an..3	Code specifying a special service. Codes below PC are used for US Market: ABK = Miscellaneous ACC = Miscellaneous setting costs (tooling) ACK = Polishing ACS = Fitting FC = Freight service PC = Packing ABG = Tooling charge ABO = Air freight transportation ACD = Minimum amount costs for quantity based surcharges ACF = Miscellaneous treatment ACJ = Painting ACN = Miscellaneous other surcharges ACU = Standard surcharge ACX = Ocean freight charge AED = Handling of hazardous cargo FAC = Freight extraordinary handling IAA = Installation NAA = Non-returnable containers RAD = Returnable container SAD = Special packaging SH = Special handling
1131	Code list identification code Code list responsible agency	C an..17	N	not used Code specifying the agency responsible for a code

VOLVO GLOBAL INVOICE based on INVOIC / UN D.03A S3

Document Number
Generated by GEFEG EDIFIX®

58

Issue: 05

Dated: 2008-06-26

VOLVO GLOBAL INVOICE AP VERSION 2

UN/EDIFACT Message: Segment details

UN/EDIFACT			Implementation	
	Name	St Format	St Format	Use / Remarks
3055	code	C an..3	O an..3	list. It is recommended to use code 272 for codes, not included in the UN/EDIFACT standard code list. Regional code lists are scheduled to be united in a common code list of the joint automotive industry. 6 = UN/ECE (United Nations - Economic Commission for Europe) 272 = Joint Automotive Industry agency
7160	Special service description	C an..35	N	not used
7160	Special service description	C an..35	N	not used

Comments:

Example:

ALC+C++++ABK'

VOLVO GLOBAL INVOICE AP VERSION 2

UN/EDIFACT Message: Segment details

Group: SG26 Status: R Max. Occ.: 9999999 Line item section
Group: SG39 Status: D Max. Occ.: 10 Charges
Group: SG42 Status: R Max. Occ.: 1 Charges - monetary amount
Segment: MOA Seq. No.: 39 Level: 3 **Monetary amount**
 Status: M Max. Occ.: 1
 Counter: 1840

Name: Allowance/charge - monetary amount

Description of segment:

UN/EDIFACT		Implementation		
	Name	St Format	St Format	Use / Remarks
MOA				
C516	Monetary amount	M	M	
5025	Monetary amount type code qualifier	M an..3	M an..3	
5004	Monetary amount	C n..35	R n..15	8 = Allowance or charge amount Value of a monetary amount in currency units Maximum 2 Decimals
6345	Currency identification code	C an..3	N	not used
6343	Currency type code qualifier	C an..3	N	not used
4405	Status description code	C an..3	N	not used

Comments:

SG42 (monetary amount) has to be sent only together with segment ALC . Only Charged amount is allowed.

Example:

MOA+8 : 1 0 0 '

VOLVO GLOBAL INVOICE AP VERSION 2

UN/EDIFACT Message: Segment details

Group: **SG26** Status: R Max. Occ.: 9999999 Line item section

Group: **SG39** Status: D Max. Occ.: 10 Charges

Group: **SG44** Status: R Max. Occ.: 1 Charge - applicable VAT rate and amount
SG44 (charges) has to be sent only together with segment ALC .

Segment: **TAX** Seq. No.: 40 Level: 3 **Duty/tax/fee details**
Status: M Max. Occ.: 1
Counter: 1920

Name: Allowance/charge - applicable VAT rate

Description of segment:

UN/EDIFACT			Implementation	
	Name	St Format	St Format	Use / Remarks
TAX				
5283	Duty or tax or fee function code qualifier	M an..3	R an..3	7 = Tax
C241	Duty/tax/fee type	C	C	
5153	Duty or tax or fee type name code	C an..3	R an..3	Code qualifying the function of a duty or tax or fee. Code specifying a type of duty, tax or fee. Code OTH shall be used when the tax in question is not VAT or another tax code. AAG = Harmonised sales tax, Canadian AAH = Quebec sales tax AAI = Canadian provincial sales tax BOL = Stamp duty (Imposta di Bollo) GST = Goods and services tax LOC = Local sales tax OTH = Other taxes STT = State/provincial sales tax VAT = Value added tax
1131	Code list identification code	C an..17	N	not used
3055	Code list responsible agency code	C an..3	N	not used
5152	Duty or tax or fee type name	C an..35	N	not used
C533	Duty/tax/fee account detail	C	N	not used
5289	Duty or tax or fee account code	M an..6	N	not used
1131	Code list identification code	C an..17	N	not used
3055	Code list responsible agency code	C an..3	N	not used
5286	Duty or tax or fee assessment basis quantity	C an..15	N	not used
C243	Duty/tax/fee detail	C	R	
5279	Duty or tax or fee rate code	C an..7	N	not used
1131	Code list identification code	C an..17	N	not used

VOLVO GLOBAL INVOICE based on INVOIC / UN D.03A S3

Document Number
Generated by GEFEG EDIFIX®

61

Issue: 05

Dated: 2008-06-26

VOLVO GLOBAL INVOICE AP VERSION 2

UN/EDIFACT Message: Segment details

UN/EDIFACT			Implementation	
	Name	St Format	St Format	Use / Remarks
3055	Code list responsible agency code	C an..3	N	not used
5278	Duty or tax or fee rate	C an..17	R n..7	<p>Rate (percentage) of the specified tax. Maximum 3 Decimals</p> <p>The tax rate (numeric) should be presented as follows: 19.5% ==> :19.500. In case of VAT exemption use 0.000.</p> <p>Maximum 3 Decimals</p>
5273	Duty or tax or fee rate basis code	C an..12	N	not used
1131	Code list identification code	C an..17	N	not used
3055	Code list responsible agency code	C an..3	N	not used
5305	Duty or tax or fee category code	C an..3	R an..3	<p>Code specifying a duty or tax or fee category. Under 6th EU directive, any exemption from tax has to be declared more detailed. There are several provisions in the directive, which allow exemption. In the European environment it is necessary to state this reason whenever the invoice issuer declares an invoice item or the whole invoice to be VAT exempt.</p> <p>For more Information use guidelines: Reference to Codelist VAT Category code (Tax Exemption Reason Codes list at Volvo IT's EDI homepage)</p> <p>The use of any valid EDIFACT code is permitted, the trading partners may limit the codes in accordance with business and legal requirements.</p> <p>(1) Codes to comply with the EU invoicing directive - not yet standard codes. These codes are not yet part of the official EDIFACT code list. In Europe it is recommended or may be even required to use these more specific codes instead of code E .</p> <p>S = Standard rate E = Exempt from tax AAA = Exempt - Article 15 of Directive 77/388/EC (1) AAB = Exempt - Article 16 of Directive 77/388/EC (1) AAC = Exempt - Article 28c(A) of Directive 77/388/EC (1) AAE = Exempt - Article 28b(C) (D) (E) (F) of Directive 77/388/EC (1) AAF = Exempt - Article 26b(B) of Directive 77/388/EC (1) AAG = Exempt - Article 13 of Directive 77/388/EC (1) AAH = Margin Scheme - Article 26a of Directive 77/388/EC (1) AAI = Margin - Article 26 of Directive 77/388/EC (1) AAJ = Reverse Charge - Article 26b(F) of Directive 77/388/EC (1) AAK = Reverse Charge - Article 21 1.a of Directive 77/388/EC (1) AAL = Reverse Charge - 2nd subparagraph of Article 16(1) of Directive 77/388/EC (1) AAM = New Means of Transport - Article 28a(2) of Directive 77/388/EC (1) AAN = Exempt - Article 28c(E)(3) of Directive 77/388/EC Triangulation (1) AAO = Reverse Charge - Article 9.2.e of Directive 77/388/EC (1)</p>
3446	Party tax identifier	C an..20	N	not used
1227	Calculation sequence code	C an..3	N	not used

VOLVO GLOBAL INVOICE based on INVOIC / UN D.03A S3

Document Number
Generated by GEFEG EDIFIX®

62

Issue: 05

Dated: 2008-06-26

VOLVO GLOBAL INVOICE AP VERSION 2

UN/EDIFACT Message: Segment details

Comments:

Example:

TAX+7+VAT++++:16.00000+S'

VOLVO GLOBAL INVOICE AP VERSION 2

UN/EDIFACT Message: Segment details

Group: SG26 Status: R Max. Occ.: 9999999 Line item section
Group: SG39 Status: D Max. Occ.: 10 Charges
Group: SG44 Status: R Max. Occ.: 1 Charge - applicable VAT rate and amount
Segment: MOA Seq. No.: 41 Level: 4 **Monetary amount**
 Status: R Max. Occ.: 1
 Counter: 1930

Name: Charge - applicable VAT amount

Description of segment:

UN/EDIFACT			Implementation	
	Name	St Format	St Format	Use / Remarks
MOA				
C516	Monetary amount	M	M	
5025	Monetary amount type code qualifier	M an..3	M an..3	
5004	Monetary amount	C n..35	R n..15	124 = Tax amount Value of a monetary amount in currency units Maximum 2 Decimals
6345	Currency identification code	C an..3	N	not used
6343	Currency type code qualifier	C an..3	N	not used
4405	Status description code	C an..3	N	not used

Comments:

Example:

MOA+124:16'

VOLVO GLOBAL INVOICE AP VERSION 2

UN/EDIFACT Message: Segment details

Segment:

UNS

Seq. No.: 42 Level: 0
Status: M Max. Occ.: 1
Counter: 2180

Section control

Name: Section control

Description of segment:

UN/EDIFACT		Implementation		
	Name	St Format	St Format	Use / Remarks
UNS 0081	Section identification	M a1	M a1	S = Detail/summary section separation

Comments:

Example:

UNS+S'

VOLVO GLOBAL INVOICE AP VERSION 2

UN/EDIFACT Message: Segment details

Group: SG50 Status: R Max. Occ.: 1 Total taxable amount in invoicing currency
 Total taxable amount.

Segment: MOA Seq. No.: 45 Level: 1 **Monetary amount**
 Status: M Max. Occ.: 1
 Counter: 2210

Name: **Total taxable amount in invoicing currency**

Description of segment:

UN/EDIFACT		Implementation		
Name	St Format	St Format	Use / Remarks	
MOA				
C516	Monetary amount	M	M	
5025	Monetary amount type code qualifier	M an..3	M an..3	Amount Type
5004	Monetary amount	C n..35	R n..15	125 = Taxable amount Value of taxable monetary amount in currency units Maximum 2 Decimals
6345	Currency identification code	C an..3	N	not used
6343	Currency type code qualifier	C an..3	R an..3	Amount Currency Qualifier
4405	Status description code	C an..3	N	4 = Invoicing currency not used

Comments:

Total taxable amount for the whole invoice.

For transactions with all partners this SG50 is required (5004 = 0.00)even if only zero rate taxes apply to the invoiced items.

Example:

MOA+125:1000::4'

VOLVO GLOBAL INVOICE AP VERSION 2

UN/EDIFACT Message: Segment details

Group: SG50 Status: R Max. Occ.: 2 Total taxable amount in home currency

Segment: MOA Seq. No.: 46 Level: 1 **Monetary amount**
 Status: D Max. Occ.: 1
 Counter: 2210

Name: Total taxable amount in home currency

Description of segment:

UN/EDIFACT		Implementation		
	Name	St Format	St Format	Use / Remarks
MOA				
C516	Monetary amount	M	M	
5025	Monetary amount type code qualifier	M an..3	M an..3	Amount Type 125 = Taxable amount
5004	Monetary amount	C n..35	R n..15	
6345	Currency identification code	C an..3	N	not used
6343	Currency type code qualifier	C an..3	R an..3	Amount Currency Qualifier 3 = Home currency
4405	Status description code	C an..3	N	not used

Comments:

When amounts have to be specified by legal reasons also in home currency, this segment has to be used.

Example:

MOA+125:711::3'

VOLVO GLOBAL INVOICE AP VERSION 2

UN/EDIFACT Message: Segment details

Group: **SG50** Status: R Max. Occ.: 1 Total invoice additional amount in invoicing currency

Used when additional charges has been made on any line item.

Segment: **MOA** Seq. No.: 50 Level: 1 **Monetary amount**
 Status: D Max. Occ.: 1
 Counter: 2210

Name: **Total invoice additional amount in invoicing currency**

Description of segment:

UN/EDIFACT			Implementation	
	Name	St Format	St Format	Use / Remarks
MOA				
C516	Monetary amount	M	M	
5025	Monetary amount type code qualifier	M an..3	M an..3	Amount Type
5004	Monetary amount	C n..35	R n..15	136 = Total invoice additional amount Value of a monetary amount to be added to the sum of line items to arrive at the document's total amount - in invoice currency. Maximum 2 Decimals
6345	Currency identification code	C an..3	N	not used
6343	Currency type code qualifier	C an..3	R an..3	Amount Currency Qualifier
4405	Status description code	C an..3	N	4 = Invoicing currency not used

Comments:

Example:

MOA+136:1000::4'

VOLVO GLOBAL INVOICE AP VERSION 2

UN/EDIFACT Message: Segment details

UN/EDIFACT			Implementation	
	Name	St Format	St Format	Use / Remarks
1131	Code list identification code	C an..17	N	not used
3055	Code list responsible agency code	C an..3	N	not used
5305	Duty or tax or fee category code	C an..3	R an..3	<p>Code specifying a duty or tax or fee category.</p> <p>Under 6th EU directive, any exemption from tax has to be declared more detailed. There are several provisions in the directive, which allow exemption. In the European environment it is necessary to state this reason whenever the invoice issuer declares an invoice item or the whole invoice to be VAT exempt.</p> <p>For more Information use guidelines: Reference to Codelist VAT Category code (Tax Exemption Reason Codes list at Volvo IT's EDI homepage)</p> <p>The use of any valid EDIFACT code is permitted, the trading partners may limit the codes in accordance with business and legal requirements.</p> <p>(1) Codes created to comply with the European invoicing directive. These codes are not yet part of the official EDIFACT code list. In Europe it is recommended or even required to use these more specific codes instead of code E.</p> <p>E = Exempt from tax S = Standard rate AAA = Exempt - Article 15 of Directive 77/388/EC (1) AAB = Exempt - Article 16 of Directive 77/388/EC (1) AAC = Exempt - Article 28c(A) of Directive 77/388/EC (1) AAE = Exempt - Article 28b(C) (D) (E) (F) of Directive 77/388/EC (1) AAF = Exempt - Article 26b(B) of Directive 77/388/EC (1) AAG = Exempt - Article 13 of Directive 77/388/EC (1) AAH = Margin Scheme - Article 26a of Directive 77/388/EC (1) AAI = Margin - Article 26 of Directive 77/388/EC (1) AAJ = Reverse Charge - Article 26b(F) of Directive 77/388/EC (1) AAK = Reverse Charge - Article 21 1.a of Directive 77/388/EC (1) AAL = Reverse Charge - 2nd subparagraph of Article 16(1) of Directive 77/388/EC (1) AAM = New Means of Transport - Article 28a(2) of Directive 77/388/EC (1) AAN = Exempt - Article 28c(E)(3) of Directive 77/388/EC Triangulation (1) AAO = Reverse Charge - Article 9.2.e of Directive 77/388/EC (1)</p>
3446	Party tax identifier	C an..20	N	not used
1227	Calculation sequence code	C an..3	N	not used

Comments:

When sending a message with data element 5278 in the TAX segment, the tax rate (numeric) should be presented in an alpha-numeric field as follows: 19.5% ==> :19.5. In case of VAT exemption use 0.00.

In European business environment, it is recommended to use SG52 as well to summarize line items belonging to the same exemption category. Assuming an invoice with a mixture of line items (1000 EUR) subject to VAT and line items (1000 EUR) subject to tax exemption, the following example would explain the recommendation:

SG50: Total invoice amount (MOA+77) 2160.00 EUR

SG50: Total taxable amount (MOA+125) 1000.00 EUR

SG50: Total tax amount (MOA+176) 160.00 EUR

SG50: Total exemption amt (MOA+403) 1000.00 EUR

VOLVO GLOBAL INVOICE based on INVOIC / UN D.03A S3

Document Number

77

Issue: 05

Dated: 2008-06-26

Generated by GEFEG EDIFIX®

VOLVO GLOBAL INVOICE AP VERSION 2

UN/EDIFACT Message: Segment details

SG52: Tax rate and amounts - VAT
SG52: Tax rate and type (TAX+7) 16% VAT
SG52: Taxable amount (MOA+125) 1000.00 EUR
SG52: Tax amount (MOA+124) 160.00 EUR
SG52: Tax rate and amounts - exempt code AAA
SG52: Tax rate and type (TAX+7) 0% AAA (exempt ...)
SG52: Taxable amount (MOA+125) 1000.00 EUR
SG52: Tax amount (MOA+124) 0.00 EUR

Example:

TAX+7+VAT+++:::16.500+S'

VOLVO GLOBAL INVOICE AP VERSION 2

UN/EDIFACT Message: Segment details

Group: **SG52** Status: M Max. Occ.: 10 Tax rates and amounts

Segment: **MOA** Seq. No.: 55 Level: 2 **Monetary amount**
 Status: R Max. Occ.: 1
 Counter: 2270

Name: **Taxable amount in invoice currency**

Description of segment:

UN/EDIFACT		Implementation		
	Name	St Format	St Format	Use / Remarks
MOA				
C516	Monetary amount	M	M	
5025	Monetary amount type code qualifier	M an..3	M an..3	
5004	Monetary amount	C n..35	R n..15	125 = Taxable amount Value of a taxable amount in currency units Maximum 2 Decimals
6345	Currency identification code	C an..3	N	not used
6343	Currency type code qualifier	C an..3	R an..3	Amount Currency Qualifier
4405	Status description code	C an..3	N	4 = Invoicing currency not used

Comments:

Example:

MOA+125:1000::4'

VOLVO GLOBAL INVOICE AP VERSION 2

UN/EDIFACT Message: Segment details

Segment:

UNT

Seq. No.: 56 Level: 0
Status: M Max. Occ.: 1
Counter: 2330

Message trailer

Name: Message trailer

Description of segment:

UN/EDIFACT		Implementation		
	Name	St Format	St Format	Use / Remarks
UNT				
0074	Number of segments in the message	M n..6	M n..6	Number of segments in the message
0062	Message reference number	M an..14	M an..14	

Comments:

Example:

UNT+162+1'