



## Volvo Global Invoice specification for NAP rev. 04

This specification describes the Volvo application of the Global Invoice regarding Non Automotive Products (NAP). Global Invoice is an initiative of the joint Automotive Industry and covers all types of EDI invoices and is based on the Edifact message standard.

The Volvo Global Invoice specification for Non Automotive products is a user profile of the Global Invoice subset, called Global Invoice Message 2.0 - Odette Sweden, specified by the Swedish Odette organisation currently published on [www.odette.se](http://www.odette.se). The NAP specification will primarily be used for EDI invoicing to Volvo units in Europe.

Volvo will use this specification in all future implementations of EDI invoices based on the Edifact standard. All older EDI relations currently in production will gradually be migrated to this specification.

Although this specification is a user profile, it covers a number of options. The use of these options is dependent on the local conditions and the requirements in each individual relation between a supplier and a Volvo unit. Before implementing this specification, it is important to analyse the current needs and to decide whether the options are applicable or not. Examples of these options are; special charges, use of two currencies (invoicing and home currency), intra-EU-invoicing with no VAT amount specified, etc. The occurrence of options are further described within this specification and in supporting guidelines published separately.

For further information and guidelines regarding this specification, please study the Volvo EDI web site, [www.volvo.com/edi\\_europe](http://www.volvo.com/edi_europe).

In this specification Volvo has also included information related to Self Billing Invoicing (SBI). This SBI concept has been discussed a lot during the recent years within the Automotive Industry. For the moment, Volvo has no intention to implement SBI for NAP, but will in the future study the concept thoroughly and decide the conditions later.

The Volvo Global Invoice specification for Automotive products (AP) will be specified and published in a separate document.

Document No:	9642-543501-04
Replaces:	9642-543501-03
Issued by:	Volvo IT, dept 9658
Approved by:	Process Owner Accounts Payable Mattias Norin
Date:	2008-06-26
Application area:	Suppliers to Volvo units in Europe
Validity:	Until further notice

**Revisions**

<b>Date</b>	<b>Issued by</b>	<b>Revision</b>	<b>Remarks</b>
2005-10-31	Volvo IT 9642	01	First published revision
2005-12-08	Volvo IT 9642	02	The following minor modifications have been introduced: <ul style="list-style-type: none"><li>▪ SG50 - segment MOA for non-taxable or exemption amount, Remarks has been modified, the word “no” has been deleted.</li><li>▪ Code list for 5305 VAT Category code in segment TAX related to SG34, SG44 and SG52 has been modified for code value AAM.</li></ul>
2006-06-08	Volvo IT 9642	03	The following modifications have been introduced: <ul style="list-style-type: none"><li>▪ In segment FTX, the Free Text qualifier = AET has been deleted</li><li>▪ In SG2/NAD/3035/BY the code value = 92 of 3055 has been introduced, but code value = 91 is still valid</li><li>▪ In SG2/NAD/3035/LC an additional party name line has been included in order to support a correct c/o address for a VAT agent.</li><li>▪ In case of home currency different from invoicing currency, the currency conversion rate has to be expressed with 5 decimals</li><li>▪ In SG26/GIN/7405 the code value EE has been introduced</li><li>▪ SG26/RFF/1156 has been introduced in order to provide for a reference to a specific order line.</li><li>▪ In TAX/5305 the code list has been limited and the values Z, AA, H and O have been deleted.</li><li>▪ In ALC/C214/7161 the code list for use to receivers in Sweden and Belgium has been limited</li><li>▪ The use of currency code in MOA/6345 has been excluded since the currency code is specified in CUX/6345 for the whole invoice</li><li>▪ A branching diagram has been included</li></ul> A number of editorial improvements of explanations and comments
2008-06-26	Volvo IT 9658	04	Corrected segment IMD with Max.occ changed into 1 instead of 99.



## **Volvo Global Invoice NAP Branching Diagram**

Below enclosed branching diagram is intended to support the interpretation of the Volvo profile of the Global Invoice subset specifications. It specifies the structure of the Volvo Global Invoice specifications.

The occurrence of a segment group (SG) or a segment can be either mandatory (M) or conditional (C). In case of conditional occurrence, the conditions for use are described in detail in the segments specification in the end of this document.

It is important to note that some of the segments are specific for NAP. Those are:

RFF (Application References)

CTA/SG5 (Contact Information)

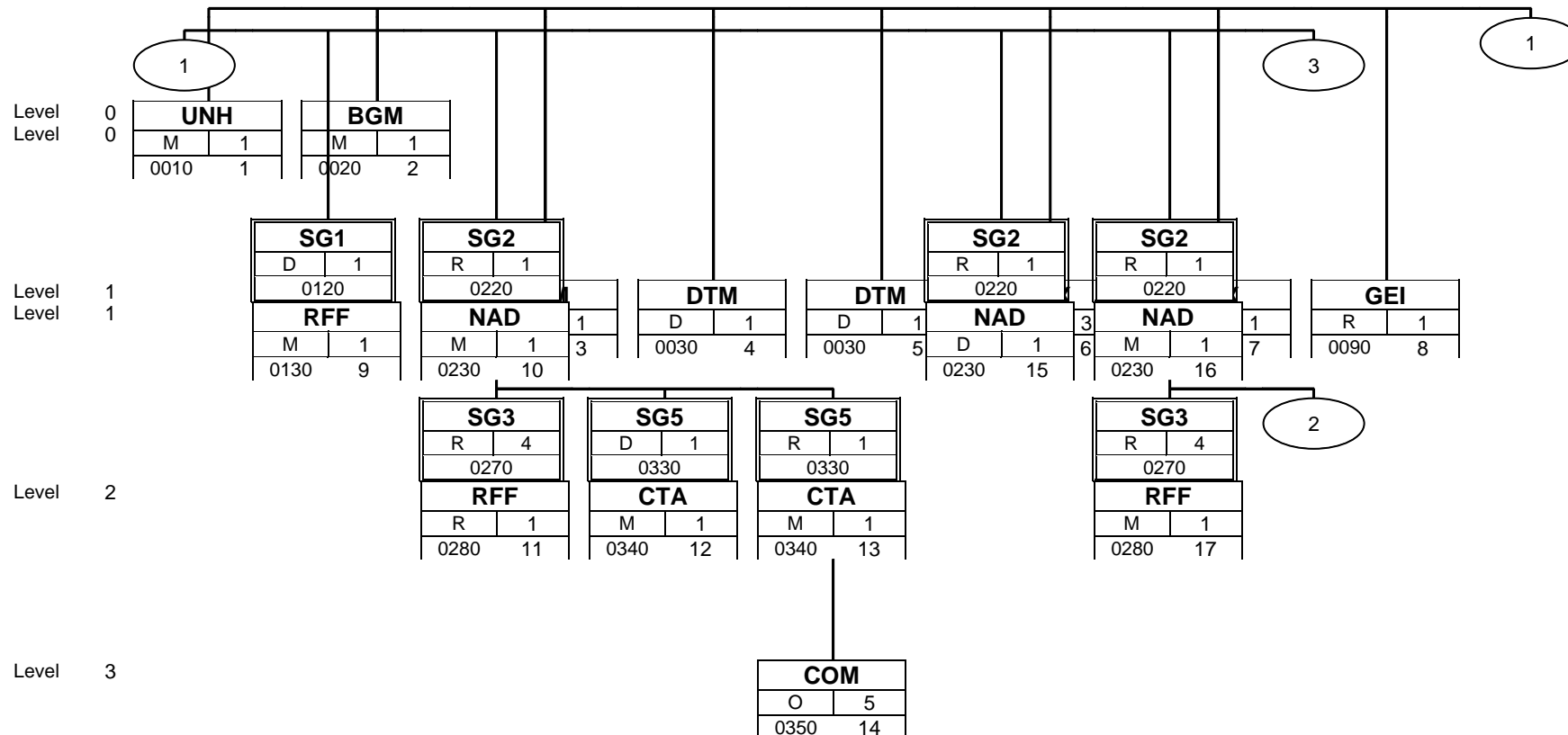
COM/SG5 (Communication Information)

PIA/SG26 (Additional product id)

For further information and guidelines regarding this specification, please study the Volvo EDI web site, [www.volvo.com/edi\\_europe](http://www.volvo.com/edi_europe).

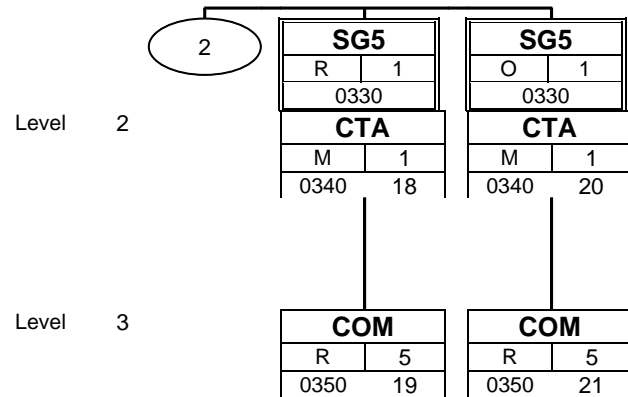
# VOLVO GLOBAL INVOICE NAP MATERIAL 2

## UN/EDIFACT Message: Branching diagram of used segments and segment groups



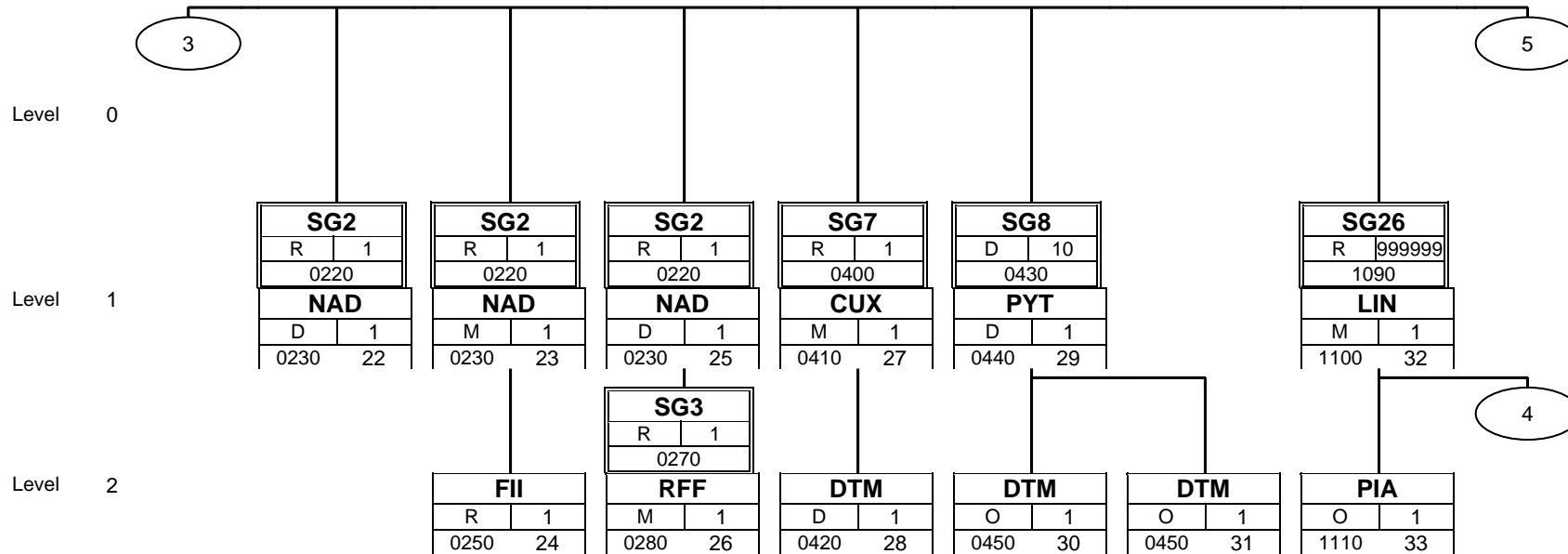
# VOLVO GLOBAL INVOICE NAP MATERIAL 2

## UN/EDIFACT Message: Branching diagram of used segments and segment groups



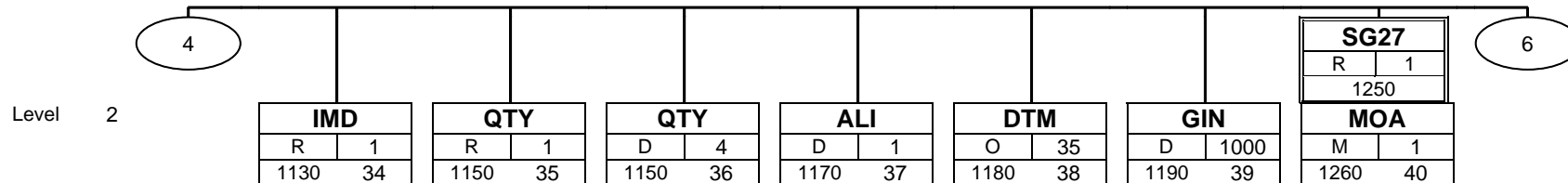
# VOLVO GLOBAL INVOICE NAP MATERIAL 2

## UN/EDIFACT Message: Branching diagram of used segments and segment groups



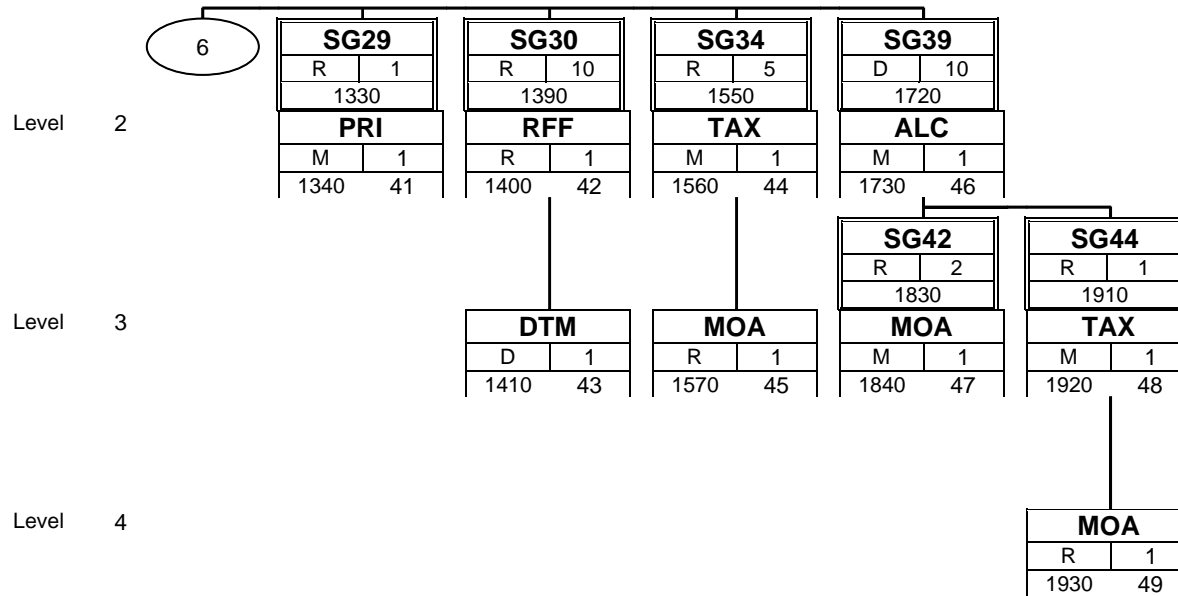
# VOLVO GLOBAL INVOICE NAP MATERIAL 2

## UN/EDIFACT Message: Branching diagram of used segments and segment groups



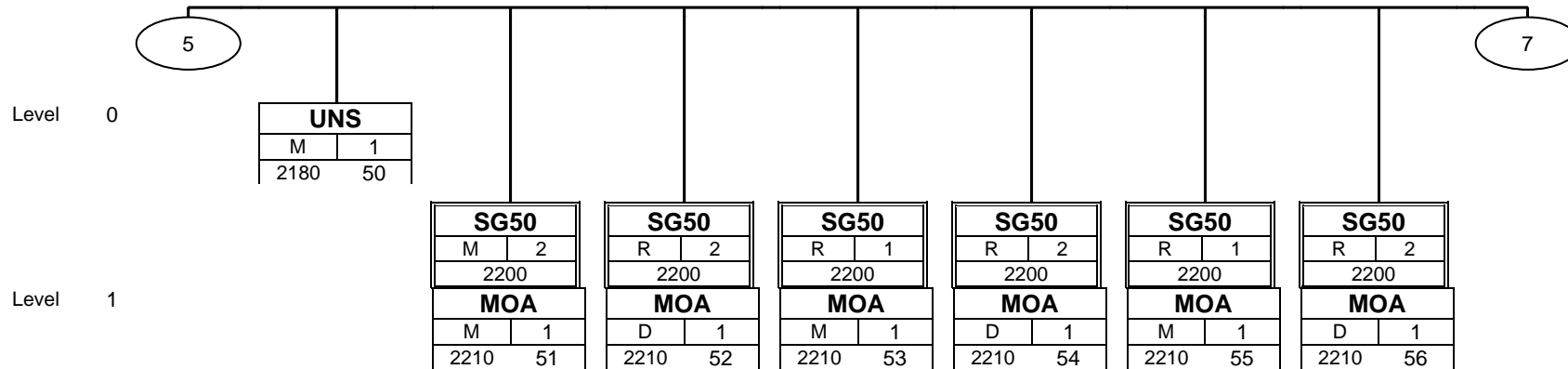
# VOLVO GLOBAL INVOICE NAP MATERIAL 2

## UN/EDIFACT Message: Branching diagram of used segments and segment groups



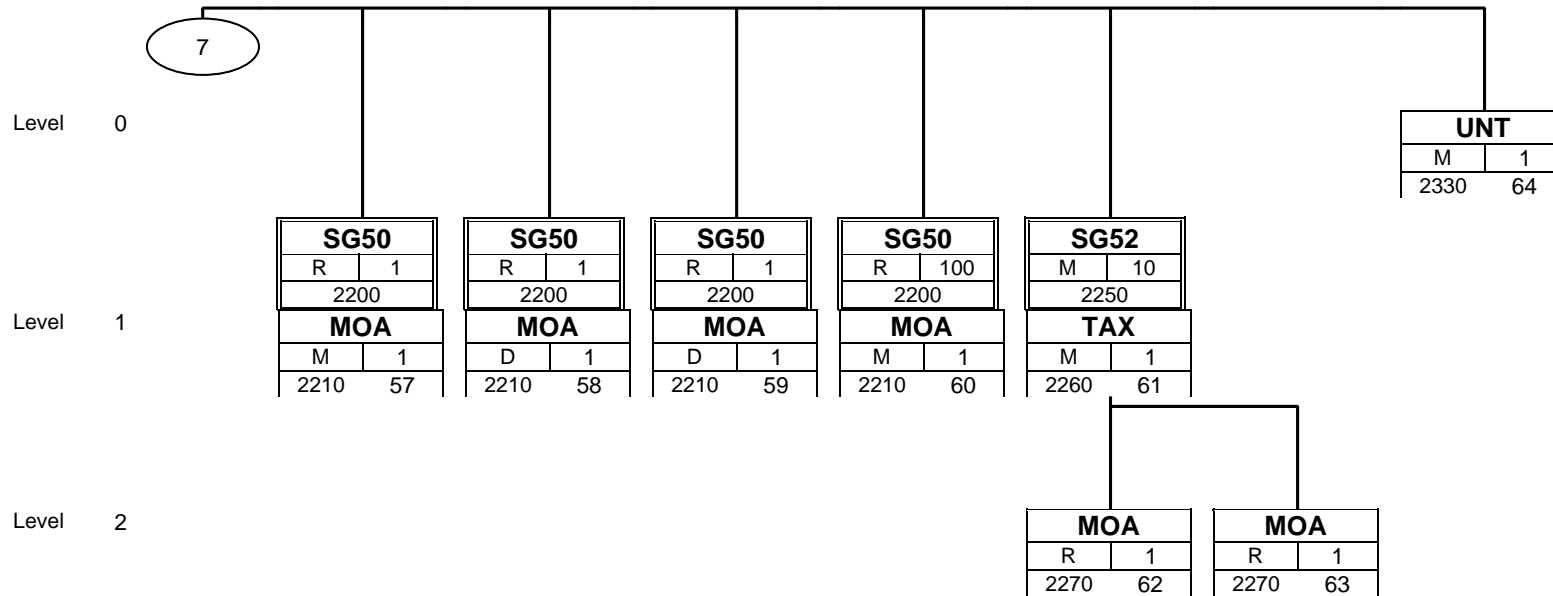
# VOLVO GLOBAL INVOICE NAP MATERIAL 2

## UN/EDIFACT Message: Branching diagram of used segments and segment groups



# VOLVO GLOBAL INVOICE NAP MATERIAL 2

## UN/EDIFACT Message: Branching diagram of used segments and segment groups



# VOLVO GLOBAL INVOICE NAP MATERIAL 2

## UN/EDIFACT Message: Segment details

**Segment:** **UNH** Seq. No.: 1 Level: 0 **Message header**  
 Status: M Max. Occ.: 1  
 Counter: 0010

**Name:** Message header

### Description of segment:

UN/EDIFACT			Implementation	
	Name	St Format	St Format	Use / Remarks
UNH				
0062	Message reference number	M an..14	M an..14	Message reference number - unique number to identify the message within the interchange, usually a consecutive number starting with 1.
S009	Message identifier	M	M	
0065	Message type	M an..6	M an..6	<b>INVOIC</b> = Invoice message
0052	Message version number	M an..3	M an..3	<b>D</b> = Draft version/UN/EDIFACT Directory
0054	Message release number	M an..3	M an..3	<b>03A</b> = Release 2003 - A
0051	Controlling agency	M an..2	M an..2	<b>UN</b> = UN/CEFACT
0057	Association assigned code	C an..6	R an6	Identification of the subset release, assigned by the responsible organisation (Odette resp. joint automotive initiative). <b>GMI012</b> = Global Automotive Industry INVOIC V2
0068	Common access reference	C an..35	N	not used
S010	Status of the transfer	C	N	not used
0070	Sequence of transfers	M n..2	N	not used
0073	First and last transfer	C a1	N	not used

### Comments:

Volvo Global Invoice Non Automotive Parts.

This specification provides the content of the message to be used in electronic data interchange between trading partners.

An invoice is a message claiming payment for goods or services supplied under conditions agreed between the seller and the buyer.

- A seller may invoice for one or more transactions

- An invoice may refer to goods, item related to one order, delivery instructions, etc.

### Example:

UNH+1+INVOIC:D:03A:UN:GMI012'

# VOLVO GLOBAL INVOICE NAP MATERIAL 2

## UN/EDIFACT Message: Segment details

**Segment:** **BGM** Seq. No.: 2 Level: 0 **Beginning of message**  
 Status: M Max. Occ.: 1  
 Counter: 0020

**Name:** Message Type, Coded

### Description of segment:

UN/EDIFACT		Implementation		
	Name	St Format	St Format	Use / Remarks
BGM				
C002	Document/message name	C	R	
1001	Document name code	C an..3	R an..3	The following explanations are intended to support a unique usage of the different message types: <b>380 = Commercial invoice</b> <b>389 = Self-billed invoice</b>
1131	Code list identification code	C an..17	N	not used
3055	Code list responsible agency code	C an..3	N	not used
1000	Document name	C an..35	N	not used
C106	Document/message identification	C	R	
1004	Document identifier	C an..35	R an..16	
1056	Version identifier	C an..9	N	not used
1060	Revision identifier	C an..6	N	not used
1225	Message function code	C an..3	N	not used
4343	Response type code	C an..3	N	not used

### Comments:

Use code BGM 1001 = 389 only after agreement with Volvo and together with application of the Self-billed invoice process.

### Example:

BGM+380+123456'

# VOLVO GLOBAL INVOICE NAP MATERIAL 2

## UN/EDIFACT Message: Segment details

**Segment:** DTM
 Seq. No.: 3 Level: 1 Date/time/period  
 Status: M Max. Occ.: 1  
 Counter: 0030

**Name:** Message date

**Description of segment:**

UN/EDIFACT			Implementation	
	Name	St Format	St Format	Use / Remarks
DTM				
C507	Date/time/period	M	M	
2005	Date or time or period function code qualifier	M an..3	M an..3	The message date is perceived as synonym also for the invoice date.
2380	Date or time or period text	C an..35	R an.8	<b>137</b> = Document/message date/time Date, on which a document or business signal was issued. Required in the new EU Invoice directive
2379	Date or time or period format code	C an..3	R an..3	
				<b>102</b> = CCYYMMDD

**Comments:**

**Example:**

DTM+137:20041231:102'

# VOLVO GLOBAL INVOICE NAP MATERIAL 2

## UN/EDIFACT Message: Segment details

**Segment:** DTM
 Seq. No.: 4 Level: 1 Date/time/period  
 Status: D Max. Occ.: 1  
 Counter: 0030

**Name:** Horizon start date

**Description of segment:**

UN/EDIFACT			Implementation	
	Name	St Format	St Format	Use / Remarks
DTM				
C507	Date/time/period	M	M	
2005	Date or time or period function code qualifier	M an..3	M an..3	Horizon start date
2380	Date or time or period text	C an..35	R n..12	<b>158</b> = Horizon start date Start date of a given period
2379	Date or time or period format code	C an..3	R an..3	<b>102</b> = CCYYMMDD <b>203</b> = CCYYMMDDHHMM

**Comments:**

Use this segment only after agreement with Volvo and only together with application of the Self-billed invoice process.

**Example:**

DTM+158:20041201:102'

# VOLVO GLOBAL INVOICE NAP MATERIAL 2

## UN/EDIFACT Message: Segment details

**Segment:** DTM
 Seq. No.: 5 Level: 1 **Date/time/period**  
 Status: D Max. Occ.: 1  
 Counter: 0030

**Name:** Horizon end date

**Description of segment:**

UN/EDIFACT			Implementation	
	Name	St Format	St Format	Use / Remarks
DTM				
C507	Date/time/period	M	M	
2005	Date or time or period function code qualifier	M an..3	M an..3	Horizon end date
2380	Date or time or period text	C an..35	R n..12	<b>159</b> = Horizon end date End date of a given period
2379	Date or time or period format code	C an..3	R an..3	<b>102</b> = CCYYMMDD <b>203</b> = CCYYMMDDHHMM

**Comments:**

Use this segment only after agreement with Volvo only together with application of the Self-billed invoice process.

**Example:**

DTM+159:20041231:102'

# VOLVO GLOBAL INVOICE NAP MATERIAL 2

## UN/EDIFACT Message: Segment details

Segment: **FTX** Seq. No.: 6 Level: 1 Free text  
 Status: D Max. Occ.: 3  
 Counter: 0070

Name: Legal info free text

### Description of segment:

UN/EDIFACT			Implementation	
	Name	St Format	St Format	Use / Remarks
FTX				
4451	Text subject code qualifier	M an..3	M an..3	Free Text Qualifier <b>ABL</b> = Government information <b>REG</b> = Regulatory information <b>TXD</b> = Tax declaration
4453	Free text function code	C an..3	N	not used
C107	Text reference	C	N	not used
4441	Free text description code	M an..17	N	not used
1131	Code list identification code	C an..17	N	not used
3055	Code list responsible agency code	C an..3	N	not used
C108	Text literal	C	R	
4440	Free text	M an..512	M an..256	A line of plain, non-structured text information.
4440	Free text	C an..512	D an..256	
4440	Free text	C an..512	D an..256	
4440	Free text	C an..512	N	not used
4440	Free text	C an..512	N	not used
3453	Language name code	C an..3	O an..3	Code specifying the language name.  Notes: 1. Use ISO 639-1988.
4447	Free text format code	C an..3	N	not used

### Comments:

Free text containing information or statements as required by legal environment.

### Example:

'FTX+ABL+++Legal info text+en'

# VOLVO GLOBAL INVOICE NAP MATERIAL 2

## UN/EDIFACT Message: Segment details

Segment: **FTX** Seq. No.: 7 Level: 1 Free text  
 Status: D Max. Occ.: 1  
 Counter: 0070

Name: Payment instructions free text

### Description of segment:

UN/EDIFACT			Implementation	
	Name	St Format	St Format	Use / Remarks
FTX				
4451	Text subject code qualifier	M an..3	M an..3	Text subject code qualifier <b>AAB = Terms of payments</b>
4453	Free text function code	C an..3	N	not used
C107	Text reference	C	N	not used
4441	Free text description code	M an..17	N	not used
1131	Code list identification code	C an..17	N	not used
3055	Code list responsible agency code	C an..3	N	not used
C108	Text literal	C	R	
4440	Free text	M an..512	M an..256	A line of plain, non-structured text information.
4440	Free text	C an..512	N	not used
4440	Free text	C an..512	N	not used
4440	Free text	C an..512	N	not used
4440	Free text	C an..512	N	not used
3453	Language name code	C an..3	O an..3	Code specifying the language name.  Notes: 1. Use ISO 639-1988.
4447	Free text format code	C an..3	N	not used

### Comments:

Use this segment group only after agreement with Volvo and only together with application of the Self-billed invoice process.

### Example:

FTX+AAB+++Payment text+en'

# VOLVO GLOBAL INVOICE NAP MATERIAL 2

## UN/EDIFACT Message: Segment details

**Segment:** GEI
 Seq. No.: 8 Level: 1 **Processing information**  
 Status: R Max. Occ.: 1  
 Counter: 0090

**Name:** Processing indicator

**Description of segment:**

UN/EDIFACT			Implementation	
	Name	St Format	St Format	Use / Remarks
GEI				
9649	Processing information code qualifier	M an..3	M an..3	Used to categorize the invoicing domain (production, other materials) In previous model: processing indicator code Codes have been defined by GIP in ODDC047 - to be used with 272 in DE 3055. <b>OM = Other Material and Services (1)</b>
C012	Processing indicator	C	O	
7365	Processing indicator description code	C an..3	N	not used
1131	Code list identification code	C an..17	N	not used
3055	Code list responsible agency code	C an..3	R an..3	It is recommended to use code 272 for codes, not included in the UN/EDIFACT standard code list. Regional code lists are scheduled to be united in a common code list of the joint automotive industry. <b>272 = Joint Automotive Industry agency</b>
7364	Processing indicator description	C an..35	N	not used
7187	Process type description code	C an..17	N	not used

**Comments:**

This segment shall be used to distinguish between production and non-production item invoices.

**Example:**

GEI+OM+ : : 272 '

# VOLVO GLOBAL INVOICE NAP MATERIAL 2

## UN/EDIFACT Message: Segment details

**Group:** **SG1**      Status: D      Max. Occ.: 1      Other Reference

**Segment:** **RFF**      Seq. No.: 9      Level: 1      **Reference**  
 Status: M      Max. Occ.: 1  
 Counter: 0130

**Name:**      **Application reference number**

**Description of segment:**

UN/EDIFACT			Implementation	
	Name	St Format	St Format	Use / Remarks
RFF				
C506	Reference	M	M	
1153	Reference code qualifier	M an..3	M an..3	
1154	Reference identifier	C an..70	R an..70	<b>AGK = Application reference number</b> Unique identifier of a document. Synonym: document number or reference number Application reference number provides a logical bracket embracing several invoice messages.
1156	Document line identifier	C an..6	N	not used
4000	Reference version identifier	C an..35	N	not used
1060	Revision identifier	C an..6	N	not used

**Comments:**

Use this segment only after agreement with Volvo and only together with application of the Self-billed invoice process.

**Example:**

RFF+AGK:123'

# VOLVO GLOBAL INVOICE NAP MATERIAL 2

## UN/EDIFACT Message: Segment details

**Group:** **SG2** Status: R Max. Occ.: 1 Buyer

Party to whom merchandise and/or service is sold.  
Required in the new EU Invoice directive

**Segment:** **NAD** Seq. No.: 10 Level: 1 Name and address  
Status: M Max. Occ.: 1  
Counter: 0230

**Name:** Buyer

### Description of segment:

UN/EDIFACT			Implementation	
	Name	St Format	St Format	Use / Remarks
NAD				
3035	Party function code qualifier	M an..3	M an..3	<b>BY = Buyer</b>
C082	Party identification details	C	O	
3039	Party identifier	M an..35	M an..35	Unique identification of a party by an ID.
1131	Code list identification code	C an..17	N	not used
3055	Code list responsible agency code	C an..3	R an..3	Code specifying the agency responsible for a code list. Volvo will start to identify suppliers using a Volvo unique code. This will be as a value in the C082/3039 also in the Delivery instruction. <b>92 = Assigned by buyer or buyer's agent</b> <b>91 = Assigned by seller or seller's agent</b>
C058	Name and address	C	N	not used
3124	Name and address description	M an..35	N	not used
3124	Name and address description	C an..35	N	not used
3124	Name and address description	C an..35	N	not used
3124	Name and address description	C an..35	N	not used
3124	Name and address description	C an..35	N	not used
C080	Party name	C	R	Required in the new EU Invoice directive
3036	Party name	M an..35	R an..35	Single text line for specification of a name Required in the new EU Invoice directive
3036	Party name	C an..35	O an..35	see 3036 # 1
3036	Party name	C an..35	N	not used
3036	Party name	C an..35	N	not used
3036	Party name	C an..35	N	not used
3045	Party name format code	C an..3	N	not used
C059	Street	C	D	
3042	Street and number or post office box identifier	M an..35	D an..35	The name that identifies the location of a house or building: usually within a street as part of an address. Required in the new EU Invoice directive
3042	Street and number or post office box identifier	C an..35	O an..35	see 3042 # 1
3042	Street and number or post office box identifier	C an..35	N	not used

# VOLVO GLOBAL INVOICE NAP MATERIAL 2

## UN/EDIFACT Message: Segment details

UN/EDIFACT			Implementation	
	Name	St Format	St Format	Use / Remarks
3042	Street and number or post office box identifier	C an..35	N	not used
3164	City name	C an..35	R an..35	The name of the city, town, or village of this address.
C819	Country sub-entity details	C	O	
3229	Country sub-entity name code	C an..9	O an..9	State or region within a country. The use of UN LoCodes is recommended. Not used for EDIFACT
1131	Code list identification code	C an..17	N	not used
3055	Code list responsible agency code	C an..3	N	not used
3228	Country sub-entity name	C an..70	N	not used
3251	Postal identification code	C an..17	R an..9	The identifier for one or more properties according to the postal service of that country; a group of letters and/or numbers added to the postal address to assist in the sorting of mail. Required in the new EU Invoice directive
3207	Country name code	C an..3	R an..3	Provides the country part of an address using a code. Use ISO3166 two alpha code. Required in the new EU Invoice directive

### Comments:

### Example:

NAD+BY+1234567::91++Company GMBH+Smallroad+smalltown++DE5409+DE '

# VOLVO GLOBAL INVOICE NAP MATERIAL 2

## UN/EDIFACT Message: Segment details

**Group:** **SG2** Status: R Max. Occ.: 1 Buyer

**Group:** **SG3** Status: R Max. Occ.: 4 Buyer's reference number(s)  
Required in the new EU Invoice directive

**Segment:** **RFF** Seq. No.: 11 Level: 2 **Reference**  
Status: R Max. Occ.: 1  
Counter: 0280

**Name:** Buyer's reference number(s)

**Description of segment:**

UN/EDIFACT			Implementation	
	Name	St Format	St Format	Use / Remarks
RFF				
C506	Reference	M	M	
1153	Reference code qualifier	M an..3	M an..3	
1154	Reference identifier	C an..70	R an..17	<b>FC = Fiscal number</b> <b>VA = VAT registration number</b> <b>XA = Company/place registration number</b> <b>AHP = Tax registration number</b> FC: Tax payer's number. Number assigned to individual persons as well as to corporates by a public institution; this number is different from the VAT registration number. AHP: The registration number by which a company/organization is identified with the tax administration. VA: Unique number assigned by the relevant tax authority to identify a party for use in relation to Value Added Tax (VAT). Required in the new EU invoice directive XA: Company and Place as legally required FC, AHP, XA is optional
1156	Document line identifier	C an..6	N	not used
4000	Reference version identifier	C an..35	N	not used
1060	Revision identifier	C an..6	N	not used

**Comments:**

**Example:**

RFF+VA:SE556013970001'







# VOLVO GLOBAL INVOICE NAP MATERIAL 2

## UN/EDIFACT Message: Segment details

**Group:** **SG2** Status: R Max. Occ.: 1 Ship-to

The party to which goods are to be shipped (consigned).

Use when available

**Segment:** **NAD** Seq. No.: 15 Level: 1 **Name and address**  
 Status: D Max. Occ.: 1  
 Counter: 0230

**Name:** Ship-to

**Description of segment:**

UN/EDIFACT		Implementation		
	Name	St Format	St Format	Use / Remarks
NAD				
3035	Party function code qualifier	M an..3	M an..3	<b>ST = Ship to</b>
C082	Party identification details	C	D	
3039	Party identifier	M an..35	R an..35	Unique identification of a party by an ID.
1131	Code list identification code	C an..17	N	not used
3055	Code list responsible agency code	C an..3	R an..3	Code specifying the agency responsible for a code list.
				<b>92 = Assigned by buyer or buyer's agent</b>
C058	Name and address	C	N	not used
3124	Name and address description	M an..35	N	not used
3124	Name and address description	C an..35	N	not used
3124	Name and address description	C an..35	N	not used
3124	Name and address description	C an..35	N	not used
3124	Name and address description	C an..35	N	not used
C080	Party name	C	O	
3036	Party name	M an..35	M an..35	Single text line for specification of a name
3036	Party name	C an..35	O an..35	see 3036 # 1
3036	Party name	C an..35	N	not used
3036	Party name	C an..35	N	not used
3036	Party name	C an..35	N	not used
3045	Party name format code	C an..3	N	not used
C059	Street	C	D	
3042	Street and number or post office box identifier	M an..35	D an..35	The name that identifies the location of a house or building: usually within a street as part of an address.
3042	Street and number or post office box identifier	C an..35	O an..35	see 3042 # 1
3042	Street and number or post office box identifier	C an..35	N	not used
3042	Street and number or post office box identifier	C an..35	N	not used
3164	City name	C an..35	O an..35	The name of the city, town, or village of this address.
C819	Country sub-entity details	C	O	

# VOLVO GLOBAL INVOICE NAP MATERIAL 2

## UN/EDIFACT Message: Segment details

UN/EDIFACT			Implementation	
	Name	St Format	St Format	Use / Remarks
3229	Country sub-entity name code	C an..9	M an..9	State or region within a country. The use of UN LoCodes is recommended.
1131	Code list identification code	C an..17	N	not used
3055	Code list responsible agency code	C an..3	N	not used
3228	Country sub-entity name	C an..70	N	not used
3251	Postal identification code	C an..17	O an..17	The identifier for one or more properties according to the postal service of that country; a group of letters and/or numbers added to the postal address to assist in the sorting of mail.
3207	Country name code	C an..3	O an..3	Provides the country part of an address using a code. Use ISO3166 two alpha code.

### Comments:

### Example:

NAD+ST+123456::92++name+street / number+City++10369+SE'

# VOLVO GLOBAL INVOICE NAP MATERIAL 2

## UN/EDIFACT Message: Segment details

**Group:** **SG2** Status: R Max. Occ.: 1 Seller

Seller: The party who has liability to fulfill the contract. It is normally used in the sense of supplier.

**Segment:** **NAD** Seq. No.: 16 Level: 1 **Name and address**  
 Status: M Max. Occ.: 1  
 Counter: 0230

**Name:** Seller

### Description of segment:

UN/EDIFACT			Implementation	
	Name	St Format	St Format	Use / Remarks
NAD				
3035	Party function code qualifier	M an..3	M an..3	SE - party selling merchandise to a buyer. <b>SE = Seller</b>
C082	Party identification details	C	R	
3039	Party identifier	M an..35	R an..35	Unique identification of a party by an ID.
1131	Code list identification code	C an..17	N	not used
3055	Code list responsible agency code	C an..3	R an..3	Code specifying the agency responsible for a code list. <b>92 = Assigned by buyer or buyer's agent</b>
C058	Name and address	C	N	not used
3124	Name and address description	M an..35	N	not used
3124	Name and address description	C an..35	N	not used
3124	Name and address description	C an..35	N	not used
3124	Name and address description	C an..35	N	not used
3124	Name and address description	C an..35	N	not used
C080	Party name	C	R	Required in the new EU Invoice directive
3036	Party name	M an..35	M an..35	Single text line for specification of a name
3036	Party name	C an..35	O an..35	see 3036 # 1
3036	Party name	C an..35	N	not used
3036	Party name	C an..35	N	not used
3036	Party name	C an..35	N	not used
3045	Party name format code	C an..3	N	not used
C059	Street	C	D	
3042	Street and number or post office box identifier	M an..35	D an..35	The name that identifies the location of a house or building: usually within a street as part of an address. Required in the new EU Invoice directive Seller's Street Line
3042	Street and number or post office box identifier	C an..35	O an..35	see 3042 # 1
3042	Street and number or post office box identifier	C an..35	N	not used
3042	Street and number or post office box identifier	C an..35	N	not used
3164	City name	C an..35	R an..35	The name of the city, town, or village of this address.

# VOLVO GLOBAL INVOICE NAP MATERIAL 2

## UN/EDIFACT Message: Segment details

UN/EDIFACT			Implementation	
	Name	St Format	St Format	Use / Remarks
C819	Country sub-entity details	C	O	
3229	Country sub-entity name code	C an..9	O an..9	State or region within a country. The use of UN LoCodes is recommended. Not used for EDIFACT
1131	Code list identification code	C an..17	N	not used
3055	Code list responsible agency code	C an..3	N	not used
3228	Country sub-entity name	C an..70	N	not used
3251	Postal identification code	C an..17	R an..17	The identifier for one or more properties according to the postal service of that country; a group of letters and/or numbers added to the postal address to assist in the sorting of mail. Required in the new EU Invoice directive
3207	Country name code	C an..3	R an..3	Provides the country part of an address using a code. Use ISO3166 two alpha code. Required in the new EU Invoice directive

### Comments:

### Example:

NAD+SE+1234567::92++Company GMBH+Smallroad+smalltown++DE5409+DE '

# VOLVO GLOBAL INVOICE NAP MATERIAL 2

## UN/EDIFACT Message: Segment details

**Group:** **SG2** Status: R Max. Occ.: 1 Seller  
**Group:** **SG3** Status: R Max. Occ.: 4 Seller's reference number(s)  
**Segment:** **RFF** Seq. No.: 17 Level: 2 **Reference**  
 Status: M Max. Occ.: 1  
 Counter: 0280

**Name:** Sellers's reference number(s)

**Description of segment:**

UN/EDIFACT			Implementation	
	Name	St Format	St Format	Use / Remarks
RFF				
C506	Reference	M	M	
1153	Reference code qualifier	M an..3	M an..3	VA: Required in the new EU Invoice directive <b>FC</b> = Fiscal number <b>VA</b> = VAT registration number <b>XA</b> = Company/place registration number <b>AHP</b> = Tax registration number
1154	Reference identifier	C an..70	R an..17	XA: Identifier of a company in the commercial registry FC: Tax payer's number. Number assigned to individual persons as well as to corporates by a public institution; this number is different from the VAT registration number. AHP: The registration number by which a company/organization is identified with the tax administration. VA: Unique number assigned by the relevant tax authority to identify a party for use in relation to Value Added Tax (VAT).
1156	Document line identifier	C an..6	N	not used
4000	Reference version identifier	C an..35	N	not used
1060	Revision identifier	C an..6	N	not used

**Comments:**

Required in the new EU Invoice directive

**Example:**

RFF+VA:DE811123456'









# VOLVO GLOBAL INVOICE NAP MATERIAL 2

## UN/EDIFACT Message: Segment details

**Group:** **SG2** Status: R Max. Occ.: 1 Seller as officially registered

To be used when required in National Legislation.

Sellers Party as officially registered with government. Used when the goods and invoice are created from different countries and a legal agent is required in the country of the ship from party.

**Segment:** **NAD** Seq. No.: 22 Level: 1 **Name and address**  
 Status: D Max. Occ.: 1  
 Counter: 0230

**Name:** Seller's official address

### Description of segment:

UN/EDIFACT			Implementation	
	Name	St Format	St Format	Use / Remarks
NAD				
3035	Party function code qualifier	M an..3	M an..3	<b>FH = Seller as officially registered</b>
C082	Party identification details	C	N	not used
3039	Party identifier	M an..35	N	not used
1131	Code list identification code	C an..17	N	not used
3055	Code list responsible agency code	C an..3	N	not used
C058	Name and address	C	C	R
3124	Name and address description	M an..35	M an..35	<a href="#">A text line containing non-structured address information.</a>
3124	Name and address description	C an..35	O an..35	see 3124 # 1
3124	Name and address description	C an..35	O an..35	see 3124 # 1
3124	Name and address description	C an..35	O an..35	see 3124 # 1
3124	Name and address description	C an..35	O an..35	see 3124 # 1
C080	Party name	C	N	not used
3036	Party name	M an..35	N	not used
3036	Party name	C an..35	N	not used
3036	Party name	C an..35	N	not used
3036	Party name	C an..35	N	not used
3036	Party name	C an..35	N	not used
3036	Party name	C an..35	N	not used
3045	Party name format code	C an..3	N	not used
C059	Street	C	N	not used
3042	Street and number or post office box identifier	M an..35	N	not used
3042	Street and number or post office box identifier	C an..35	N	not used
3042	Street and number or post office box identifier	C an..35	N	not used
3042	Street and number or post office box identifier	C an..35	N	not used
3164	City name	C an..35	N	not used
C819	Country sub-entity details	C	N	not used

# VOLVO GLOBAL INVOICE NAP MATERIAL 2

## UN/EDIFACT Message: Segment details

UN/EDIFACT			Implementation	
	Name	St Format	St Format	Use / Remarks
3229	Country sub-entity name code	C an..9	N	not used
1131	Code list identification code	C an..17	N	not used
3055	Code list responsible agency code	C an..3	N	not used
3228	Country sub-entity name	C an..70	N	not used
3251	Postal identification code	C an..17	N	not used
3207	Country name code	C an..3	N	not used

**Comments:**

To be used when Required in National Legislation.

**Example:**

NAD+FH++Seller Inc.:Sample street 99:Sample town:DE-80559'

# VOLVO GLOBAL INVOICE NAP MATERIAL 2

## UN/EDIFACT Message: Segment details

**Group:** **SG2** Status: R Max. Occ.: 1 Payee

Party to whom a payment has to be made.

To be used even if the Payee is equal to Seller. If the seller is introducing a new party to receive payment, Volvo has to be notified separately.

**Segment:** **NAD** Seq. No.: 23 Level: 1 **Name and address**  
 Status: M Max. Occ.: 1  
 Counter: 0230

**Name:** Payee

### Description of segment:

UN/EDIFACT			Implementation	
	Name	St Format	St Format	Use / Remarks
NAD				
3035	Party function code qualifier	M an..3	M an..3	<b>PE = Payee</b>
C082	Party identification details	C	O	
3039	Party identifier	M an..35	M an..35	Unique identification of a party by an ID.
1131	Code list identification code	C an..17	N	not used
3055	Code list responsible agency code	C an..3	R an..3	Code specifying the agency responsible for a code list.
				<b>92 = Assigned by buyer or buyer's agent</b>
C058	Name and address	C	N	not used
3124	Name and address description	M an..35	N	not used
3124	Name and address description	C an..35	N	not used
3124	Name and address description	C an..35	N	not used
3124	Name and address description	C an..35	N	not used
3124	Name and address description	C an..35	N	not used
C080	Party name	C	R	
3036	Party name	M an..35	M an..35	Single text line for specification of a name
3036	Party name	C an..35	O an..35	Payee's Name line 2
3036	Party name	C an..35	N	not used
3036	Party name	C an..35	N	not used
3036	Party name	C an..35	N	not used
3045	Party name format code	C an..3	N	not used
C059	Street	C	D	Use if available
3042	Street and number or post office box identifier	M an..35	D an..35	The name that identifies the location of a house or building: usually within a street as part of an address.
3042	Street and number or post office box identifier	C an..35	O an..35	Payee's Street Line 2
3042	Street and number or post office box identifier	C an..35	N	not used
3042	Street and number or post office box identifier	C an..35	N	not used
3164	City name	C an..35	R an..35	The name of the city, town, or village of this address.

# VOLVO GLOBAL INVOICE NAP MATERIAL 2

## UN/EDIFACT Message: Segment details

UN/EDIFACT			Implementation	
	Name	St Format	St Format	Use / Remarks
C819	Country sub-entity details	C	O	
3229	Country sub-entity name code	C an..9	O an..9	State or region within a country. The use of UN LoCodes is recommended. Not used for EDIFACT
1131	Code list identification code	C an..17	N	not used
3055	Code list responsible agency code	C an..3	N	not used
3228	Country sub-entity name	C an..70	N	not used
3251	Postal identification code	C an..17	R an..17	The identifier for one or more properties according to the postal service of that country; a group of letters and/or numbers added to the postal address to assist in the sorting of mail.
3207	Country name code	C an..3	R an..3	Provides the country part of an address using a code. Use ISO3166 two alpha code.

### Comments:

### Example:

NAD+PE+1234567::91++Company GMBH+Smallroad+smalltown++DE5409+DE'



# VOLVO GLOBAL INVOICE NAP MATERIAL 2

## UN/EDIFACT Message: Segment details

**Group:** **SG2** Status: R Max. Occ.: 1 Tax representative party

If a company has a VAT registration with an appointed agent/representative in a member state where he is not established, a care of address to the representative must be stated on the invoice.

**Segment:** **NAD** Seq. No.: 25 Level: 1 **Name and address**  
 Status: D Max. Occ.: 1  
 Counter: 0230

**Name:** Tax representative

### Description of segment:

UN/EDIFACT			Implementation		
	Name	St Format	St Format	Use / Remarks	
NAD					
3035	Party function code qualifier	M an..3	M an..3	<b>LC = Party declaring the Value Added Tax (VAT)</b>	
C082	Party identification details	C	D	Use this compositem after agreement with Volvo	
3039	Party identifier	M an..35	D an..35		
1131	Code list identification code	C an..17	N	not used	
3055	Code list responsible agency code	C an..3	D an..3		
C058	Name and address	C	N	not used	
3124	Name and address description	M an..35	N	not used	
3124	Name and address description	C an..35	N	not used	
3124	Name and address description	C an..35	N	not used	
3124	Name and address description	C an..35	N	not used	
3124	Name and address description	C an..35	N	not used	
C080	Party name	C	R		
3036	Party name	M an..35	M an..35	Single text line for specification of a name	
3036	Party name	C an..35	D an..35	C/O adress (When applicable)	
3036	Party name	C an..35	N	not used	
3036	Party name	C an..35	N	not used	
3036	Party name	C an..35	N	not used	
3045	Party name format code	C an..3	N	not used	
C059	Street	C	D	Use when available	
3042	Street and number or post office box identifier	M an..35	M an..35	The name that identifies the location of a house or building: usually within a street as part of an address.	
3042	Street and number or post office box identifier	C an..35	C an..35	see 3042 # 1	
3042	Street and number or post office box identifier	C an..35	N	not used	
3042	Street and number or post office box identifier	C an..35	N	not used	
3164	City name	C an..35	R an..35	The name of the city, town, or village of this address.	
C819	Country sub-entity details	C	O		

# VOLVO GLOBAL INVOICE NAP MATERIAL 2

## UN/EDIFACT Message: Segment details

UN/EDIFACT			Implementation	
	Name	St Format	St Format	Use / Remarks
3229	Country sub-entity name code	C an..9	O an..9	State or region within a country. The use of UN LoCodes is recommended. Not used for EDIFACT
1131	Code list identification code	C an..17	N	not used
3055	Code list responsible agency code	C an..3	N	not used
3228	Country sub-entity name	C an..70	N	not used
3251	Postal identification code	C an..17	R an..17	The identifier for one or more properties according to the postal service of that country; a group of letters and/or numbers added to the postal address to assist in the sorting of mail.
3207	Country name code	C an..3	R an..3	Provides the country part of an address using a code. Use ISO3166 two alpha code.

### Comments:

### Example:

NAD+LC+++ABC Inc.+Small lane 35+Newtown++WC2-5CD+GB'

# VOLVO GLOBAL INVOICE NAP MATERIAL 2

## UN/EDIFACT Message: Segment details

**Group:** SG2 Status: R Max. Occ.: 1 Tax representative party

**Group:** SG3 Status: R Max. Occ.: 1 VAT registration number

**Segment:** RFF Seq. No.: 26 Level: 2 **Reference**  
 Status: M Max. Occ.: 1  
 Counter: 0280

**Name:** Reference

**Description of segment:**

UN/EDIFACT			Implementation	
	Name	St Format	St Format	Use / Remarks
RFF				
C506	Reference	M	M	
1153	Reference code qualifier	M an..3	M an..3	
1154	Reference identifier	C an..70	R an..17	<b>VA = VAT registration number</b> VA: Unique number assigned by the relevant tax authority to identify a party for use in relation to Value Added Tax (VAT).
1156	Document line identifier	C an..6	N	not used
4000	Reference version identifier	C an..35	N	not used
1060	Revision identifier	C an..6	N	not used

**Comments:**

Required in the new EU invoice directive

**Example:**

RFF+VA:GB77766655'

# VOLVO GLOBAL INVOICE NAP MATERIAL 2

## UN/EDIFACT Message: Segment details

**Group:** SG7    Status: R    Max. Occ.: 1    Invoice and home currency  
 Required in the new EU Invoice directive

**Segment:** CUX    Seq. No.: 27    Level: 1    **Currencies**  
 Status: M    Max. Occ.: 1  
 Counter: 0410

**Name:**            Currencies

**Description of segment:**

UN/EDIFACT			Implementation	
	Name	St Format	St Format	Use / Remarks
CUX				
C504	Currency details	C	R	
6347	Currency usage code qualifier	M an..3	M an..3	
6345	Currency identification code	C an..3	R an..3	<b>2</b> = Reference currency Code specifying a monetary unit.
				Notes: 1. Use ISO 4217 three alpha code. Invoicing currency Code specifying a monetary unit. Use ISO 4217 three alpha code.
6343	Currency type code qualifier	C an..3	R an..3	
6348	Currency rate	C n..4	N	<b>4</b> = Invoicing currency not used
C504	Currency details	C	D	Only to be used after agreement with Volvo
6347	Currency usage code qualifier	M an..3	M an..3	
6345	Currency identification code	C an..3	R an..3	<b>3</b> = Target currency Target Currency specifies the currency that has to be used for accounting, taxation, or calculation purposes in those cases, when a monetary amount is given in a different currency. Code specifying a monetary unit. Use ISO 4217 three alpha code.
6343	Currency type code qualifier	C an..3	R an..3	Currency Purpose
6348	Currency rate	C n..4	N	<b>3</b> = Home currency not used
5402	Currency exchange rate	C n..12	D n..12	The rate at which one specified currency is expressed in another specified currency. Currency Conversion Rate should be given with 5 decimals.
6341	Exchange rate currency market identifier	C an..3	N	not used

**Comments:**

It has to contain the invoice currency and may contain home currency.  
 Invoicing currency is always to be given in the first occurrence of the C504#1 as follows:  
 6347 '2', 6345 Currency, 6343 '4'

If a different home currency is to be given, the second occurrence of C504 in the CUX segment is to be used as follows:  
 second 6347: '3', second 6345 contains the currency, and second 6343: '3'. Data element 5402 contains the currency conversion rate.

# VOLVO GLOBAL INVOICE NAP MATERIAL 2

## UN/EDIFACT Message: Segment details

Home currency: in some cases it is a requirement that, for invoicing in foreign currency, the invoice taxable and tax (e.g. VAT) amounts must also be expressed in home currency. Relating this to the CUX segments, authorities would require the invoicing currency and the home currency to be shown, together with the applied rate of exchange (element 5402)

**Example:**

CUX+2:EUR:4+3:SEK:3+9.98700'

# VOLVO GLOBAL INVOICE NAP MATERIAL 2

## UN/EDIFACT Message: Segment details

**Group:** **SG7**      Status: R      Max. Occ.: 1      Invoice and home currency

**Segment:** **DTM**      Seq. No.: 28      Level: 2      **Date/time/period**  
 Status: D      Max. Occ.: 1  
 Counter: 0420

**Name:**      **Exchange rate date**

**Description of segment:**

UN/EDIFACT			Implementation	
	Name	St Format	St Format	Use / Remarks
DTM				
C507	Date/time/period	M	M	
2005	Date or time or period function code qualifier	M an..3	M an..3	
2380	Date or time or period text	C an..35	R n8	<b>134 = Rate of exchange date/time</b> To specify the date, a given exchange rate between two currencies has been calculated (or has been published by other sources). Rate of Exchange Date
2379	Date or time or period format code	C an..3	R an..3	
				<b>102 = CCYYMMDD</b>

**Comments:**

This segment has to be specified in case of invoicing in two currencies.

**Example:**

DTM+134:20041230:102'

# VOLVO GLOBAL INVOICE NAP MATERIAL 2

## UN/EDIFACT Message: Segment details

**Group:** **SG8** Status: D Max. Occ.: 10 Payment instructions

Use this segment group only after agreement with Volvo and only together with application of the Self-billed invoice process.

**Segment:** **PYT** Seq. No.: 29 Level: 1 **Payment terms**  
 Status: D Max. Occ.: 1  
 Counter: 0440

**Name:** Payment terms

**Description of segment:**

UN/EDIFACT			Implementation	
	Name	St Format	St Format	Use / Remarks
PYT				
4279	Payment terms type code qualifier	M an..3	M an..3	Conditions of payment between the parties to a transaction.  <b>1 = Basic</b>
C019	Payment terms	C	O	
4277	Payment terms description identifier	C an..17	N	not used
1131	Code list identification code	C an..17	N	not used
3055	Code list responsible agency code	C an..3	N	not used
4276	Payment terms description	C an..35	N	not used
2475	Time reference code	C an..3	M an..3	Code referencing a point in time. Reference to the date of a specific event, e.g. issue date of a specified business document (for example invoice date). See code list 2475 <b>5 = Date of invoice</b>
2009	Terms time relation code	C an..3	O an..3	Code relating terms to a reference date, time or period. Date (Relation) <b>1 = Reference date</b> <b>2 = Before reference</b> <b>3 = After reference</b> <b>4 = End of 10-day period containing the reference date</b> <b>5 = End of 2-week period containing the reference date</b> <b>6 = End of month containing the reference date</b> <b>8 = End of quarter containing the reference date</b> <b>9 = End of year containing the reference date</b> <b>12 = End of half year containing the reference date</b>
2151	Period type code	C an..3	O an..3	Type Of Period Coded <b>3M = Quarter</b> <b>6M = Half-year</b> <b>D = Day</b> <b>M = Month</b> <b>P = Four month period</b> <b>W = Week</b> <b>Y = Year</b>

# VOLVO GLOBAL INVOICE NAP MATERIAL 2

## UN/EDIFACT Message: Segment details

UN/EDIFACT			Implementation	
	Name	St Format	St Format	Use / Remarks
2152	Period count quantity	C n..3	O n..3	Actual number of periods (days, weeks etc.) belonging to a schedule or similar time horizons. Number Of Periods

**Comments:**

**Example:**

PYT+1++5:1:D:10'

# VOLVO GLOBAL INVOICE NAP MATERIAL 2

## UN/EDIFACT Message: Segment details

**Group:** **SG8**      Status: D      Max. Occ.: 10      Payment instructions

**Segment:** **DTM**      Seq. No.: 30      Level: 2      **Date/time/period**  
 Status: O      Max. Occ.: 1  
 Counter: 0450

**Name:**      **Payment due date**

**Description of segment:**

UN/EDIFACT			Implementation	
	Name	St Format	St Format	Use / Remarks
DTM				
C507	Date/time/period	M	M	
2005	Date or time or period function code qualifier	M an..3	M an..3	
2380	Date or time or period text	C an..35	R n8	<b>140</b> = Payment due date Date when the payment is due in order to comply with the specified payment terms.
2379	Date or time or period format code	C an..3	R an..3	<b>102</b> = CCYYMMDD

**Comments:**

This segment can be used in conjunction with any of the applicable qualifiers in the leading PYT segment.  
 Use this segment only after agreement with Volvo and only together with application of the Self-billed invoice process.

**Example:**

DTM+140:20040110:102'



# VOLVO GLOBAL INVOICE NAP MATERIAL 2

## UN/EDIFACT Message: Segment details

**Group:** **SG26** Status: R Max. Occ.: 9999999 Line item section

**Segment:** **LIN** Seq. No.: 32 Level: 1 **Line item**  
 Status: M Max. Occ.: 1  
 Counter: 1100

**Name:** Line item

### Description of segment:

UN/EDIFACT			Implementation	
	Name	St Format	St Format	Use / Remarks
LIN				
1082	Line item identifier	C an..6	R n..6	Sequential number generated by the sender to identify a line item within a message. It is recommended to start with value 1 and to increment by 1 for each new line.
1229	Action request/notification description code	C an..3	N	not used
C212	Item number identification	C	D	Use if available
7140	Item identifier	C an..35	D an..35	Information directly relating to the identification of an article by the buyer's identification system. Note: The term article is synonym with the term item. Since in Odette and in the global joint automotive projects the term article has been used, this naming convention has been continued. Buyer's Article Number
7143	Item type identification code	C an..3	D an..3	<b>IN = Buyer's item number</b>
1131	Code list identification code	C an..17	N	not used
3055	Code list responsible agency code	C an..3	N	not used
C829	Sub-line information	C	N	not used
5495	Sub-line indicator code	C an..3	N	not used
1082	Line item identifier	C an..6	N	not used
1222	Configuration level number	C n..2	N	not used
7083	Configuration operation code	C an..3	N	not used

### Comments:

### Example:

LIN+1++1234567890:IN'

# VOLVO GLOBAL INVOICE NAP MATERIAL 2

## UN/EDIFACT Message: Segment details

**Group:** **SG26** Status: R Max. Occ.: 9999999 Line item section

**Segment:** **PIA** Seq. No.: 33 Level: 2 **Additional product id**  
 Status: O Max. Occ.: 1  
 Counter: 1110

**Name:** Additional article identifier(s) 1

**Description of segment:**

UN/EDIFACT			Implementation	
	Name	St Format	St Format	Use / Remarks
PIA				
4347	Product identifier code qualifier	M an..3	M an..3	<b>1 = Additional identification</b>
C212	Item number identification	M	O	
7140	Item identifier	C an..35	R an..35	Additional Article Number 1
7143	Item type identification code	C an..3	R an..3	
				<b>SA = Supplier's article number</b>
1131	Code list identification code	C an..17	N	not used
3055	Code list responsible agency code	C an..3	N	not used
C212	Item number identification	C	N	not used
7140	Item identifier	C an..35	N	not used
7143	Item type identification code	C an..3	N	not used
1131	Code list identification code	C an..17	N	not used
3055	Code list responsible agency code	C an..3	N	not used
C212	Item number identification	C	N	not used
7140	Item identifier	C an..35	N	not used
7143	Item type identification code	C an..3	N	not used
1131	Code list identification code	C an..17	N	not used
3055	Code list responsible agency code	C an..3	N	not used
C212	Item number identification	C	N	not used
7140	Item identifier	C an..35	N	not used
7143	Item type identification code	C an..3	N	not used
1131	Code list identification code	C an..17	N	not used
3055	Code list responsible agency code	C an..3	N	not used
C212	Item number identification	C	N	not used
7140	Item identifier	C an..35	N	not used
7143	Item type identification code	C an..3	N	not used
1131	Code list identification code	C an..17	N	not used
3055	Code list responsible agency code	C an..3	N	not used

# VOLVO GLOBAL INVOICE NAP MATERIAL 2

## UN/EDIFACT Message: Segment details

**Comments:**

**Example:**

PIA+1+987654321:SA'

# VOLVO GLOBAL INVOICE NAP MATERIAL 2

## UN/EDIFACT Message: Segment details

**Group:** **SG26** Status: R Max. Occ.: 9999999 Line item section

**Segment:** **IMD** Seq. No.: 34 Level: 2 **Item description**  
 Status: R Max. Occ.: 1  
 Counter: 1130

**Name:** Description of article or service

**Description of segment:**

UN/EDIFACT			Implementation	
	Name	St Format	St Format	Use / Remarks
IMD				
7077	Description format code	C an..3	N	not used
C272	Item characteristic	C	N	not used
7081	Item characteristic code	C an..3	N	not used
1131	Code list identification code	C an..17	N	not used
3055	Code list responsible agency code	C an..3	N	not used
C273	Item description	C	R	
7009	Item description code	C an..17	N	not used
1131	Code list identification code	C an..17	N	not used
3055	Code list responsible agency code	C an..3	N	not used
7008	Item description	C an..256	R an..256	Required in the new Eu Invoice directive
7008	Item description	C an..256	D an..256	
3453	Language name code	C an..3	O an..3	Code specifying the language name.
				Notes: 1. Use ISO 639-1988.
7383	Surface or layer code	C an..3	N	not used

**Comments:**

Required in the new EU Invoice directive

**Example:**

IMD+++:::left brake mount'

# VOLVO GLOBAL INVOICE NAP MATERIAL 2

## UN/EDIFACT Message: Segment details

**Group:** **SG26**    Status: R    Max. Occ.: 9999999    Line item section

**Segment:** **QTY**    Seq. No.: 35    Level: 2    **Quantity**  
 Status: R    Max. Occ.: 1  
 Counter: 1150

**Name:**            **Invoiced quantity**

**Description of segment:**

UN/EDIFACT			Implementation	
	Name	St Format	St Format	Use / Remarks
QTY				
C186	Quantity details	M	M	
6063	Quantity type code qualifier	M an..3	M an..3	
6060	Quantity	M an..35	M n..10	<b>47 = Invoiced quantity</b> <a href="#">Invoiced quantity value</a> Required in the new EU Invoice directive Maximum 3 Decimals are allowed.
6411	Measurement unit code	C an..8	D an..3	<a href="#">Code specifying the unit of measurement.</a> <a href="#">Recommend use UN/ECE Recommendation 20, Common code.</a> Use the Measurement unit code given in the Order

**Comments:**

If a value of 6411 is not present, quantity is regarded as per pieces

**Example:**

QTY+47:10'

# VOLVO GLOBAL INVOICE NAP MATERIAL 2

## UN/EDIFACT Message: Segment details

**Group:** **SG26** Status: R Max. Occ.: 9999999 Line item section

**Segment:** **QTY** Seq. No.: 36 Level: 2 **Quantity**  
 Status: D Max. Occ.: 4  
 Counter: 1150

**Name:** Other quantities

### Description of segment:

UN/EDIFACT			Implementation	
	Name	St Format	St Format	Use / Remarks
QTY				
C186	Quantity details	M	M	
6063	Quantity type code qualifier	M an..3	M an..3	
6060	Quantity	M an..35	M n..10	<b>12</b> = Despatch quantity <b>48</b> = Received quantity Despatched quantity value The quantity received by the ship-to party. Maximum 3 Decimals are allowed.
6411	Measurement unit code	C an..8	D an..3	Code specifying the unit of measurement. Recommend use UN/ECE Recommendation 20, Common code. Use the Measurement unit code given in the Order

### Comments:

Use this segment only after agreement with Volvo and only together with application of the Self-billed invoice process.

### Example:

QTY+12:1'

# VOLVO GLOBAL INVOICE NAP MATERIAL 2

## UN/EDIFACT Message: Segment details

**Group:** SG26 Status: R Max. Occ.: 9999999 Line item section

**Segment:** ALI Seq. No.: 37 Level: 2 **Additional information**  
 Status: D Max. Occ.: 1  
 Counter: 1170

**Name:** Additional information

**Description of segment:**

UN/EDIFACT			Implementation	
	Name	St Format	St Format	Use / Remarks
ALI				
3239	Country of origin name code	C an..3	R a2	Identification of the name of the country or other geographical entity as defined in ISO 3166-1.  Notes:   1. Use ISO 3166-1 two alpha country code. Country Of Origin Coded Required for articles with origin from outside the European union, if any party is within the union. Required also for goods sent to USA, regardless of origin.
9213	Duty regime type code	C an..3	N	not used
4183	Special condition code	C an..3	O an..2	EDIFACT 4183 (excerpt) An indication for Customs of the type of contract under which goods are supplied (code list ODDC013). AIAG uses this element for government reporting of goods and services traded internationally under the North American Free Trade Agreement. <b>7 = Subject to commission</b> <b>35 = Consigned to</b> <b>70 = Supply for sale 'on approval' or after trial</b> <b>71 = Exchange of goods compensated in kind</b> <b>72 = Sale for export by foreigner travelling in member state concerned</b> <b>73 = Samples</b> <b>74 = Temporary export, loan or hire</b> <b>75 = Temporary export, leasing</b> <b>76 = Temporary export, operation for job processing</b> <b>77 = Temporary export, repair and maintenance against payment</b> <b>78 = Temporary export, repair and maintenance free of charge</b> <b>79 = Reimport following job processing</b> <b>80 = Reimport following repair and maintenance against payment</b> <b>81 = Reimport following repair and maintenance free of charge</b> <b>82 = Supply of goods under joint production contract for defence purposes</b> <b>83 = Supply of goods under joint production contract for civil purposes</b> <b>84 = Supply of goods for warehousing for foreign account</b> <b>85 = Supply of goods as gifts by country of</b>

# VOLVO GLOBAL INVOICE NAP MATERIAL 2

## UN/EDIFACT Message: Segment details

UN/EDIFACT			Implementation	
	Name	St Format	St Format	Use / Remarks
				<b>despatch and food aid under European Economic Community regulation</b> <b>86 = Supply of goods for disaster relief equipment</b> <b>87 = Supply of goods as transactions without compensation</b> <b>88 = Supply of goods as returned consignment on which payment has been made</b> <b>89 = Supply of goods as returned consignment on which no payment has been made</b> <b>90 = Supply of goods in standard exchange giving rise to payment</b> <b>91 = Supply of goods in standard exchange not giving rise to payment</b> <b>92 = Supply of goods/services in standard exchange under warranty</b>
4183	Special condition code	C an..3	N	not used
4183	Special condition code	C an..3	N	not used
4183	Special condition code	C an..3	N	not used
4183	Special condition code	C an..3	N	not used

**Comments:**

Use this segment by legal requirements (Use Element 4183 for business with USA)

**Example:**

ALI+PL'

# VOLVO GLOBAL INVOICE NAP MATERIAL 2

## UN/EDIFACT Message: Segment details

**Group:** SG26    Status: R    Max. Occ.: 9999999    Line item section

**Segment:** DTM    Seq. No.: 38    Level: 2    **Date/time/period**  
 Status: O    Max. Occ.: 35  
 Counter: 1180

**Name:**            **Goods receipt date**

**Description of segment:**

UN/EDIFACT			Implementation	
	Name	St Format	St Format	Use / Remarks
DTM				
C507	Date/time/period	M	M	
2005	Date or time or period function code qualifier	M an..3	M an..3	<b>50</b> = Goods receipt date/time
2380	Date or time or period text	C an..35	R an..12	
2379	Date or time or period format code	C an..3	R an..3	
				<b>102</b> = CCYYMMDD
				<b>203</b> = CCYYMMDDHHMM

**Comments:**

Use this segment only after agreement with Volvo and only together with application of the Self-billed invoice process.

**Example:**

DTM+50:20041214:102'

# VOLVO GLOBAL INVOICE NAP MATERIAL 2

## UN/EDIFACT Message: Segment details

**Group:** **SG26** Status: R Max. Occ.: 9999999 Line item section

**Segment:** **GIN** Seq. No.: 39 Level: 2 **Goods identity number**  
 Status: D Max. Occ.: 1000  
 Counter: 1190

**Name:** Goods identity number

**Description of segment:**

UN/EDIFACT			Implementation	
	Name	St Format	St Format	Use / Remarks
GIN				
7405	Object identification code qualifier	M an..3	M an..3	<b>BN</b> = Serial number <b>VV</b> = Vehicle identity number
C208	Identity number range	M	M	
7402	Object identifier	M an..35	R an..35	Unique number affixed by the manufacturer to individual pieces of products for identification purposes - serial numbers of the articles The repetition 2 provides a means for transmission of ranges from - to Unique number affixed by the manufacturer to individual pieces of products for identification purposes - VIN of the parts / assemblys The repetition 2 provides a means for transmission of ranges from - to
7402	Object identifier	C an..35	N	not used
C208	Identity number range	C	N	not used
7402	Object identifier	M an..35	N	not used
7402	Object identifier	C an..35	N	not used
C208	Identity number range	C	N	not used
7402	Object identifier	M an..35	N	not used
7402	Object identifier	C an..35	N	not used
C208	Identity number range	C	N	not used
7402	Object identifier	M an..35	N	not used
7402	Object identifier	C an..35	N	not used
C208	Identity number range	C	N	not used
7402	Object identifier	M an..35	N	not used
7402	Object identifier	C an..35	N	not used

**Comments:**

Use this segment only after agreement with Volvo and only together with application of the Self-billed invoice process.

**Example:**

GIN+BN+SN1234567890'



# VOLVO GLOBAL INVOICE NAP MATERIAL 2

## UN/EDIFACT Message: Segment details

**Group:** **SG26** Status: R Max. Occ.: 9999999 Line item section

**Group:** **SG29** Status: R Max. Occ.: 1 Calculation gross price

**Segment:** **PRI** Seq. No.: 41 Level: 2 **Price details**  
 Status: M Max. Occ.: 1  
 Counter: 1340

**Name:** Price details

**Description of segment:**

UN/EDIFACT			Implementation	
	Name	St Format	St Format	Use / Remarks
PRI				
C509	Price information	C	R	
5125	Price code qualifier	M an..3	M an..3	
5118	Price amount	C n..15	R n..15	<b>AAB = Calculation gross</b> Unit gross price amount in price currency units Maximum 2 Decimals
5375	Price type code	C an..3	N	not used
5387	Price specification code	C an..3	N	not used
5284	Unit price basis quantity	C n..9	D n..9	Basis on which the unit price/rate applies. The values 1, 100 and 1000 are approved. Default value is 1.
6411	Measurement unit code	C an..8	D an..3	Code specifying the unit of measurement. Recommend use UN/ECE Recommendation 20, Common code. Use the Measurement unit code given in the Order
5213	Sub-line item price change operation code	C an..3	N	not used

**Comments:**

Price without charges, this represents the gross price applicable to the line, but does not include any charges that may be applicable to the line and which are deductible from the gross price.

If a value of 6411 is not present, quantity is regarded as per pieces

**Example:**

PRI+AAB:100'

# VOLVO GLOBAL INVOICE NAP MATERIAL 2

## UN/EDIFACT Message: Segment details

**Group:** **SG26** Status: R Max. Occ.: 9999999 Line item section

**Group:** **SG30** Status: R Max. Occ.: 10 References to messages

**Segment:** **RFF** Seq. No.: 42 Level: 2 **Reference**  
 Status: R Max. Occ.: 1  
 Counter: 1400

**Name:** Reference message number

**Description of segment:**

UN/EDIFACT			Implementation	
	Name	St Format	St Format	Use / Remarks
RFF	Reference	M	M	
C506	Reference code qualifier	M an..3	M an..3	
1153	Reference identifier	C an..70	R an..70	<b>AAK</b> = Despatch advice number <b>BO</b> = Blanket order number <b>ON</b> = Buyers order number Unique identifier of a referenced blanket order Unique identifier of a referenced order Unique identifier of a referenced despatch advice
1154	Document line identifier	C an..6	D n..6	Use Order line number after agreement with Volvo
1156	Reference version identifier	C an..35	N	not used
4000	Revision identifier	C an..6	N	not used
1060				

**Comments:**

Reference to order always required. Use AAK when available. Use qualifier BO after agreement with Volvo

**Example:**

RFF+AAK:333444'

# VOLVO GLOBAL INVOICE NAP MATERIAL 2

## UN/EDIFACT Message: Segment details

**Group:** SG26 Status: R Max. Occ.: 9999999 Line item section

**Group:** SG30 Status: R Max. Occ.: 10 References to messages

**Segment:** DTM Seq. No.: 43 Level: 3 **Date/time/period**  
 Status: D Max. Occ.: 1  
 Counter: 1410

**Name:** Reference message date

**Description of segment:**

UN/EDIFACT		Implementation		
	Name	St Format	St Format	Use / Remarks
DTM				
C507	Date/time/period	M	M	
2005	Date or time or period function code qualifier	M an..3	M an..3	
2380	Date or time or period text	C an..35	R an..8	<b>171 = Reference date/time</b> Despatch Advise Document Date/Time
2379	Date or time or period format code	C an..3	R an..3	
				<b>102 = CCYYMMDD</b>

**Comments:**

Required for qualifier AAK in RFF segment above

**Example:**

DTM+171:20041212:102'

# VOLVO GLOBAL INVOICE NAP MATERIAL 2

## UN/EDIFACT Message: Segment details

**Group:** **SG26** Status: R Max. Occ.: 9999999 Line item section

**Group:** **SG34** Status: R Max. Occ.: 5 VAT or other tax rate and amount for line item

Detailed information concerning applicable tax rates, amounts and categories.  
 Used on article or line level, if in one document tax details may be specified on line and on document level .  
 Required in the new EU Invoice directive

**Segment:** **TAX** Seq. No.: 44 Level: 2 **Duty/tax/fee details**  
 Status: M Max. Occ.: 1  
 Counter: 1560

**Name:** VAT or other tax rate line item

**Description of segment:**

UN/EDIFACT			Implementation		
	Name	St Format	St Format	Use / Remarks	
TAX					
5283	Duty or tax or fee function code qualifier	M an..3	M an..3	Code qualifying the function of a duty or tax or fee. Code specifying a type of duty, tax or fee. <b>7 = Tax</b>	
C241	Duty/tax/fee type	C	R		
5153	Duty or tax or fee type name code	C an..3	R an..3	Code specifying a type of duty, tax or fee. Code OTH shall be used when the tax in question is not VAT or another tax code. <b>AAG = Harmonised sales tax, Canadian</b> <b>AAH = Quebec sales tax</b> <b>AAI = Canadian provincial sales tax</b> <b>BOL = Stamp duty (Imposta di Bollo)</b> <b>GST = Goods and services tax</b> <b>LOC = Local sales tax</b> <b>OTH = Other taxes</b> <b>STT = State/provincial sales tax</b> <b>VAT = Value added tax</b>	
1131	Code list identification code	C an..17	N	not used	
3055	Code list responsible agency code	C an..3	N	not used	
5152	Duty or tax or fee type name	C an..35	N	not used	
C533	Duty/tax/fee account detail	C	N	not used	
5289	Duty or tax or fee account code	M an..6	N	not used	
1131	Code list identification code	C an..17	N	not used	
3055	Code list responsible agency code	C an..3	N	not used	
5286	Duty or tax or fee assessment basis quantity	C an..15	N	not used	
C243	Duty/tax/fee detail	C	R		
5279	Duty or tax or fee rate code	C an..7	N	not used	
1131	Code list identification code	C an..17	N	not used	

# VOLVO GLOBAL INVOICE NAP MATERIAL 2

## UN/EDIFACT Message: Segment details

UN/EDIFACT			Implementation	
	Name	St Format	St Format	Use / Remarks
3055	Code list responsible agency code	C an..3	N	not used
5278	Duty or tax or fee rate	C an..17	R n..7	Rate (percentage) of the specified tax. Maximum 3 Decimals The tax rate (numeric) should be presented as follows: 19.5% ==> :19.500. In case of VAT exemption use 0.000.
5273	Duty or tax or fee rate basis code	C an..12	N	not used
1131	Code list identification code	C an..17	N	not used
3055	Code list responsible agency code	C an..3	N	not used
5305	Duty or tax or fee category code	C an..3	R an..3	Code specifying a duty or tax or fee category. Under 6th EU directive, any exemption from tax has to be declared more detailed. There are several provisions in the directive, which allow exemption. In the European environment it is necessary to state this reason whenever the invoice issuer declares an invoice item or the whole invoice to be VAT exempt. The use of any valid EDIFACT code is permitted, the trading partners may limit the codes in accordance with business and legal requirements. (1) Codes created to comply with the European invoicing directive. These codes are not yet part of the official EDIFACT code list. In Europe it is recommended or may be even required to use these more specific codes instead of code E . Recommendation: For more Information use guidelines: Reference to Codelist VAT Category code (Tax Exemption Reason Codes list at Volvo IT's EDI homepage) <b>E</b> = Exempt from tax <b>S</b> = Standard rate <b>AAA</b> = Exempt - Article 15 of Directive 77/388/EC (1) <b>AAB</b> = Exempt - Article 16 of Directive 77/388/EC (1) <b>AAC</b> = Exempt - Article 28c(A) of Directive 77/388/EC (1) <b>AAE</b> = Exempt - Article 28b(C) (D) (E) (F) of Directive 77/388/EC (1) <b>AAF</b> = Exempt - Article 26b(B) of Directive 77/388/EC (1) <b>AAG</b> = Exempt - Article 13 of Directive 77/388/EC (1) <b>AAH</b> = Margin Scheme - Article 26a of Directive 77/388/EC (1) <b>AAI</b> = Margin - Article 26 of Directive 77/388/EC (1) <b>AAJ</b> = Reverse Charge - Article 26b(F) of Directive 77/388/EC (1) <b>AAK</b> = Reverse Charge - Article 21 1.a of Directive 77/388/EC (1) <b>AAL</b> = Reverse Charge - 2nd subparagraph of Article 16(1) of Directive 77/388/EC (1) <b>AAM</b> = New Means of Transport - Article 28a(2) of Directive 77/388/EC (1) <b>AAN</b> = Exempt - Article 28c(E)(3) of Directive 77/388/EC Triangulation (1) <b>AAO</b> = Reverse Charge - Article 9.2.e of Directive 77/388/EC (1)
3446	Party tax identifier	C an..20	N	not used
1227	Calculation sequence code	C an..3	N	not used

# VOLVO GLOBAL INVOICE NAP MATERIAL 2

## UN/EDIFACT Message: Segment details

**Comments:**

When sending a message with data element 5278 in the TAX segment, the value added tax rate (numeric) should be presented in an alpha-numeric field as follows: 19,5% ==> :19.500. In case of VAT exemption use 0.000.

**Example:**

```
TAX+7+VAT+++:::16.000+S'
```



# VOLVO GLOBAL INVOICE NAP MATERIAL 2

## UN/EDIFACT Message: Segment details

**Group:** **SG26** Status: R Max. Occ.: 9999999 Line item section

**Group:** **SG39** Status: D Max. Occ.: 10 Charges

Only to be used after agreement and related to charges after agreement with Volvo.

**Segment:** **ALC** Seq. No.: 46 Level: 2 **Allowance or charge**  
 Status: M Max. Occ.: 1  
 Counter: 1730

**Name:** Charges

**Description of segment:**

UN/EDIFACT			Implementation	
	Name	St Format	St Format	Use / Remarks
ALC				
5463	Allowance or charge code qualifier	M an..3	R an..3	Allowance/Charge Qualifier  <b>C = Charge</b>
C552	Allowance/charge information	C	N	not used
1230	Allowance or charge identifier	C an..35	N	not used
5189	Allowance or charge identification code	C an..3	N	not used
4471	Settlement means code	C an..3	N	not used
1227	Calculation sequence code	C an..3	N	not used
C214	Special services identification	C	R	
7161	Special service description code	C an..3	R an..3	<a href="#">Code specifying a special service.</a> Codes below PC are used for US Market: <b>ABK = Miscellaneous</b> <b>ACC = Miscellaneous setting costs (tooling)</b> <b>ACK = Polishing</b> <b>ACS = Fitting</b> <b>FC = Freight service</b> <b>PC = Packing</b> <b>ABG = Tooling charge</b> <b>ABO = Air freight transportation</b> <b>ACD = Minimum amount costs for quantity based surcharges</b> <b>ACF = Miscellaneous treatment</b> <b>ACJ = Painting</b> <b>ACU = Standard surcharge</b> <b>ACX = Ocean freight charge</b> <b>AED = Handling of hazardous cargo</b> <b>FAC = Freight extraordinary handling</b> <b>IAA = Installation</b> <b>NAA = Non-returnable containers</b> <b>RAD = Returnable container</b> <b>SAD = Special packaging</b> <b>SH = Special handling</b>
1131	Code list identification code	C an..17	N	not used
3055	Code list responsible agency	C an..3	O an..3	<a href="#">Code specifying the agency responsible for a code</a>

# VOLVO GLOBAL INVOICE NAP MATERIAL 2

## UN/EDIFACT Message: Segment details

UN/EDIFACT			Implementation	
	Name	St Format	St Format	Use / Remarks
	code			list. It is recommended to use code 272 for codes, not included in the UN/EDIFACT standard code list. Regional code lists are scheduled to be united in a common code list of the joint automotive industry.
7160	Special service description	C an..35	N	not used
7160	Special service description	C an..35	N	not used

### Comments:

### Example:

A1C+C++++ABK '

# VOLVO GLOBAL INVOICE NAP MATERIAL 2

## UN/EDIFACT Message: Segment details

**Group:** **SG26** Status: R Max. Occ.: 9999999 Line item section  
**Group:** **SG39** Status: D Max. Occ.: 10 Charges  
**Group:** **SG42** Status: R Max. Occ.: 2 Charges - monetary amount  
**Segment:** **MOA** Seq. No.: 47 Level: 3 **Monetary amount**  
 Status: M Max. Occ.: 1  
 Counter: 1840

**Name:** Charges - monetary amount

**Description of segment:**

UN/EDIFACT			Implementation	
	Name	St Format	St Format	Use / Remarks
MOA				
C516	Monetary amount	M	M	
5025	Monetary amount type code qualifier	M an..3	M an..3	
5004	Monetary amount	C n..35	R n..15	<b>8</b> = Allowance or charge amount Value of a monetary amount in currency units Maximum 2 Decimals
6345	Currency identification code	C an..3	N	not used
6343	Currency type code qualifier	C an..3	N	not used
4405	Status description code	C an..3	N	not used

**Comments:**

**Example:**

MOA+8:100'

# VOLVO GLOBAL INVOICE NAP MATERIAL 2

## UN/EDIFACT Message: Segment details

**Group:** **SG26** Status: R Max. Occ.: 9999999 Line item section

**Group:** **SG39** Status: D Max. Occ.: 10 Charges

**Group:** **SG44** Status: R Max. Occ.: 1 Charges - applicable VAT rate and amount  
 SG44 (charge) has to be sent only together with segment ALC .

**Segment:** **TAX** Seq. No.: 48 Level: 3 **Duty/tax/fee details**  
 Status: M Max. Occ.: 1  
 Counter: 1920

**Name:** Charges - applicable VAT rate

**Description of segment:**

UN/EDIFACT			Implementation		
	Name	St Format	St Format	Use / Remarks	
TAX					
5283	Duty or tax or fee function code qualifier	M an..3	R an..3	Code qualifying the function of a duty or tax or fee.  <b>7 = Tax</b>	
C241	Duty/tax/fee type	C	C		
5153	Duty or tax or fee type name code	C an..3	R an..3	Code specifying a type of duty, tax or fee. Code OTH shall be used when the tax in question is not VAT or another tax code.  <b>AAG = Harmonised sales tax, Canadian</b> <b>AAH = Quebec sales tax</b> <b>AAI = Canadian provincial sales tax</b> <b>BOL = Stamp duty (Imposta di Bollo)</b> <b>GST = Goods and services tax</b> <b>LOC = Local sales tax</b> <b>OTH = Other taxes</b> <b>STT = State/provincial sales tax</b> <b>VAT = Value added tax</b>	
1131	Code list identification code	C an..17	N	not used	
3055	Code list responsible agency code	C an..3	N	not used	
5152	Duty or tax or fee type name	C an..35	N	not used	
C533	Duty/tax/fee account detail	C	N	not used	
5289	Duty or tax or fee account code	M an..6	N	not used	
1131	Code list identification code	C an..17	N	not used	
3055	Code list responsible agency code	C an..3	N	not used	
5286	Duty or tax or fee assessment basis quantity	C an..15	N	not used	
C243	Duty/tax/fee detail	C	R		
5279	Duty or tax or fee rate code	C an..7	N	not used	
1131	Code list identification code	C an..17	N	not used	
3055	Code list responsible agency	C an..3	N	not used	

# VOLVO GLOBAL INVOICE NAP MATERIAL 2

## UN/EDIFACT Message: Segment details

UN/EDIFACT			Implementation	
	Name	St Format	St Format	Use / Remarks
	code			
5278	Duty or tax or fee rate	C an..17	R n..7	Rate (percentage) of the specified tax. Maximum 3 Decimals The tax rate (numeric) should be presented as follows: 19.5% ==> :19.500. In case of VAT exemption use 0.000.
5273	Duty or tax or fee rate basis code	C an..12	N	not used
1131	Code list identification code	C an..17	N	not used
3055	Code list responsible agency code	C an..3	N	not used
5305	Duty or tax or fee category code	C an..3	R an..3	Code specifying a duty or tax or fee category. Under 6th EU directive, any exemption from tax has to be declared more detailed. There are several provisions in the directive, which allow exemption. In the European environment it is necessary to state this reason whenever the invoice issuer declares an invoice item or the whole invoice to be VAT exempt.  The use of any valid EDIFACT code is permitted, the trading partners may limit the codes in accordance with business and legal requirements. (1) Codes to comply with the EU invoicing directive - not yet standard codes Category codes (assigned by national organ) Recommendation: For more Information use guidelines: Reference to Codelist VAT Category code (Tax Exemption Reason Codes list at Volvo IT's EDI homepage) <b>S</b> = Standard rate <b>E</b> = Exempt from tax <b>AAA</b> = Exempt - Article 15 of Directive 77/388/EC (1) <b>AAB</b> = Exempt - Article 16 of Directive 77/388/EC (1) <b>AAC</b> = Exempt - Article 28c(A) of Directive 77/388/EC (1) <b>AAE</b> = Exempt - Article 28b(C) (D) (E) (F) of Directive 77/388/EC (1) <b>AAF</b> = Exempt - Article 26b(B) of Directive 77/388/EC (1) <b>AAG</b> = Exempt - Article 13 of Directive 77/388/EC (1) <b>AAH</b> = Margin Scheme - Article 26a of Directive 77/388/EC (1) <b>AAI</b> = Margin - Article 26 of Directive 77/388/EC (1) <b>AAJ</b> = Reverse Charge - Article 26b(F) of Directive 77/388/EC (1) <b>AAK</b> = Reverse Charge - Article 21 1.a of Directive 77/388/EC (1) <b>AAL</b> = Reverse Charge - 2nd subparagraph of Article 16(1) of Directive 77/388/EC (1) <b>AAM</b> = New Means of Transport - Article 28a(2) of Directive 77/388/EC (1) <b>AAN</b> = Exempt - Article 28c(E)(3) of Directive 77/388/EC Triangulation (1) <b>AAO</b> = Reverse Charge - Article 9.2.e of Directive 77/388/EC (1)
3446	Party tax identifier	C an..20	N	not used
1227	Calculation sequence code	C an..3	N	not used

**Comments:**

**Example:**

# VOLVO GLOBAL INVOICE NAP MATERIAL 2

## UN/EDIFACT Message: Segment details

TAX+7+VAT+++:::16.000+S'

# VOLVO GLOBAL INVOICE NAP MATERIAL 2

## UN/EDIFACT Message: Segment details

**Group:** SG26 Status: R Max. Occ.: 9999999 Line item section

**Group:** SG39 Status: D Max. Occ.: 10 Charges

**Group:** SG44 Status: R Max. Occ.: 1 Charges - applicable VAT rate and amount

**Segment:** MOA Seq. No.: 49 Level: 4 **Monetary amount**  
 Status: R Max. Occ.: 1  
 Counter: 1930

**Name:** Charges - applicable VAT amount

**Description of segment:**

UN/EDIFACT			Implementation	
	Name	St Format	St Format	Use / Remarks
MOA				
C516	Monetary amount	M	M	
5025	Monetary amount type code qualifier	M an..3	M an..3	
5004	Monetary amount	C n..35	R n..15	<b>124 = Tax amount</b> Value of a monetary amount in currency units Maximum 2 Decimals
6345	Currency identification code	C an..3	N	not used
6343	Currency type code qualifier	C an..3	N	not used
4405	Status description code	C an..3	N	not used

**Comments:**

**Example:**

MOA+124:16'

# VOLVO GLOBAL INVOICE NAP MATERIAL 2

## UN/EDIFACT Message: Segment details

**Segment:** **UNS** Seq. No.: 50 Level: 0 **Section control**  
Status: M Max. Occ.: 1  
Counter: 2180

**Name:** Section control

### Description of segment:

UN/EDIFACT			Implementation	
	Name	St Format	St Format	Use / Remarks
UNS 0081	Section identification	M a1	M a1	<b>S</b> = Detail/summary section separation

### Comments:

### Example:

UNS+S'

# VOLVO GLOBAL INVOICE NAP MATERIAL 2

## UN/EDIFACT Message: Segment details

**Group:** **SG50** Status: M Max. Occ.: 2 Total invoice amount in invoicing currency

**Segment:** **MOA** Seq. No.: 51 Level: 1 **Monetary amount**  
 Status: M Max. Occ.: 1  
 Counter: 2210

**Name:** Invoice amount in invoicing currency

**Description of segment:**

UN/EDIFACT			Implementation	
	Name	St Format	St Format	Use / Remarks
MOA				
C516	Monetary amount	M	M	
5025	Monetary amount type code qualifier	M an..3	M an..3	Although the EDIFACT codelist provides another code for the sum of several invoice documents (e.g. in a summarised message like an invoice trailer) for the sake of keeping the message as simple as possible the code 77 shall be used also in those messages.  <b>77 = Invoice amount</b>
5004	Monetary amount	C n..35	R n..15	<b>Invoice total amount, including taxes (if applicable)</b> <b>Maximum 2 Decimals</b> Invoice amount in currency units
6345	Currency identification code	C an..3	N	not used
6343	Currency type code qualifier	C an..3	R an..3	Amount Currency Qualifier
4405	Status description code	C an..3	N	<b>4 = Invoicing currency</b> not used

**Comments:**

Total sum charged in respect of a single invoice in accordance with the terms of Payment.  
 Invoice amount (77) is the sum of:  
 -Total line item amounts (Qualifier 79)  
 -Total invoice additional amount (136)  
 -Total duty/tax/fee amount (176)  
 plus or less adjustment amount (165)

Relation between Home Currency and Invoicing Currency is established through data element 5402 (rate of exchange) in the CUX segment at header level.

**Example:**

MOA+77:1160::4'

# VOLVO GLOBAL INVOICE NAP MATERIAL 2

## UN/EDIFACT Message: Segment details

**Group:** **SG50**      Status: R      Max. Occ.: 2      Total invoice amount in home currency

**Segment:** **MOA**      Seq. No.: 52      Level: 1      **Monetary amount**  
 Status: D      Max. Occ.: 1  
 Counter: 2210

**Name:**      **Invoice amount in home currency**

**Description of segment:**

UN/EDIFACT			Implementation	
	Name	St Format	St Format	Use / Remarks
MOA				
C516	Monetary amount	M	M	
5025	Monetary amount type code qualifier	M an..3	M an..3	Amount Type Although the EDIFACT codelist provides another code for the sum of several invoice documents (e.g. in a summarised message like an invoice trailer) for the sake of keeping the message as simple as possible the code 77 shall be used also in those messages.  <b>77 = Invoice amount</b>
5004	Monetary amount	C n..35	R n..15	<b>Value of a monetary amount in currency units</b> Maximum 2 Decimals Invoice amount in currency units
6345	Currency identification code	C an..3	N	not used
6343	Currency type code qualifier	C an..3	R an..3	Amount Currency Qualifier
4405	Status description code	C an..3	N	<b>3 = Home currency</b> not used

**Comments:**

Total sum charged in respect of a single invoice in accordance with the terms of delivery.  
 When amounts have to be specified by legal reasons also in home currency, this segment has to be used.

**Example:**

MOA+77:824.76::3'

# VOLVO GLOBAL INVOICE NAP MATERIAL 2

## UN/EDIFACT Message: Segment details

**Group:** **SG50** Status: R Max. Occ.: 1 Total taxable amount in invoicing currency

**Segment:** **MOA** Seq. No.: 53 Level: 1 **Monetary amount**  
 Status: M Max. Occ.: 1  
 Counter: 2210

**Name:** Total taxable amount in invoicing currency

**Description of segment:**

UN/EDIFACT			Implementation	
	Name	St Format	St Format	Use / Remarks
MOA				
C516	Monetary amount	M	M	
5025	Monetary amount type code qualifier	M an..3	M an..3	Amount Type
5004	Monetary amount	C n..35	R n..15	<b>125 = Taxable amount</b> Value of taxable monetary amount in currency units Maximum 2 Decimals Total taxable amount in currency units
6345	Currency identification code	C an..3	N	not used
6343	Currency type code qualifier	C an..3	R an..3	Amount Currency Qualifier
4405	Status description code	C an..3	N	<b>4 = Invoicing currency</b> not used

**Comments:**

Total taxable amount.

**Example:**

MOA+125:1000::4'

# VOLVO GLOBAL INVOICE NAP MATERIAL 2

## UN/EDIFACT Message: Segment details

**Group:** **SG50**    Status: R    Max. Occ.: 2    Total taxable amount in home currency

**Segment:** **MOA**    Seq. No.: 54    Level: 1    **Monetary amount**  
 Status: D    Max. Occ.: 1  
 Counter: 2210

**Name:**            **Total taxable amount in home currency**

**Description of segment:**

UN/EDIFACT			Implementation	
	Name	St Format	St Format	Use / Remarks
MOA				
C516	Monetary amount	M	M	
5025	Monetary amount type code qualifier	M an..3	M an..3	Amount Type  <b>125       = Taxable amount</b>
5004	Monetary amount	C n..35	R n..15	
6345	Currency identification code	C an..3	N	not used
6343	Currency type code qualifier	C an..3	R an..3	Amount Currency Qualifier  <b>3           = Home currency</b>
4405	Status description code	C an..3	N	not used

**Comments:**

When amounts have to be specified by legal reasons also in home currency, this segment has to be used.

**Example:**

MOA+125:711:::3'

# VOLVO GLOBAL INVOICE NAP MATERIAL 2

## UN/EDIFACT Message: Segment details

**Group:** **SG50**      Status: R      Max. Occ.: 1      Total tax amount in invoicing currency

**Segment:** **MOA**      Seq. No.: 55      Level: 1      **Monetary amount**  
 Status: M      Max. Occ.: 1  
 Counter: 2210

**Name:**      **Total tax amount in invoicing currency**

**Description of segment:**

UN/EDIFACT			Implementation	
	Name	St Format	St Format	Use / Remarks
MOA				
C516	Monetary amount	M	M	
5025	Monetary amount type code qualifier	M an..3	M an..3	Amount Type
5004	Monetary amount	C n..35	R n..15	<b>176</b> = Message total duty/tax/fee amount Value of tax amount in currency units Maximum 2 Decimals Amount
6345	Currency identification code	C an..3	N	not used
6343	Currency type code qualifier	C an..3	R an..3	Amount Currency Qualifier
4405	Status description code	C an..3	N	<b>4</b> = Invoicing currency not used

**Comments:**

For transactions with all partners this SG50 is required (0.00), even if only zero rate taxes apply to the invoiced items.

**Example:**

MOA+176:160::4'

# VOLVO GLOBAL INVOICE NAP MATERIAL 2

## UN/EDIFACT Message: Segment details

**Group:** **SG50**      Status: R      Max. Occ.: 2      Total tax amount in home currency

**Segment:** **MOA**      Seq. No.: 56      Level: 1      **Monetary amount**  
 Status: D      Max. Occ.: 1  
 Counter: 2210

**Name:**      **Total tax amount in home currency**

**Description of segment:**

UN/EDIFACT			Implementation	
	Name	St Format	St Format	Use / Remarks
MOA				
C516	Monetary amount	M	M	
5025	Monetary amount type code qualifier	M an..3	M an..3	Amount Type
5004	Monetary amount	C n..35	R n..15	<b>176</b> = Message total duty/tax/fee amount Value of a tax amount in in home currency units Maximum 2 Decimals Amount Maximum 2 Decimals
6345	Currency identification code	C an..3	N	not used
6343	Currency type code qualifier	C an..3	R an..3	Amount Currency Qualifier
4405	Status description code	C an..3	N	<b>3</b> = Home currency not used

**Comments:**

When amounts have to be specified by legal reasons also in home currency, this segment has to be used.

**Example:**

MOA+176:113.76::3'

# VOLVO GLOBAL INVOICE NAP MATERIAL 2

## UN/EDIFACT Message: Segment details

**Group:** SG50    Status: R    Max. Occ.: 1    Total line items amount in invoicing currency

**Segment:** MOA    Seq. No.: 57    Level: 1    **Monetary amount**  
 Status: M    Max. Occ.: 1  
 Counter: 2210

**Name:**            Total line items amount in invoicing currency

**Description of segment:**

UN/EDIFACT			Implementation	
	Name	St Format	St Format	Use / Remarks
MOA				
C516	Monetary amount	M	M	
5025	Monetary amount type code qualifier	M an..3	M an..3	Amount Type
5004	Monetary amount	C n..35	R n..15	<b>79</b> = Total line items amount Value of a monetary amount in currency units Maximum 2 Decimals Amount
6345	Currency identification code	C an..3	N	not used
6343	Currency type code qualifier	C an..3	R an..3	Amount Currency Qualifier
4405	Status description code	C an..3	C N	<b>4</b> = Invoicing currency

**Comments:**

Total sum of all line items amounts. (SG27/C516/5004)

**Example:**

MOA+79:1000::4'

# VOLVO GLOBAL INVOICE NAP MATERIAL 2

## UN/EDIFACT Message: Segment details

**Group:** **SG50**      Status: R      Max. Occ.: 1      Total invoice additional amount in invoicing currency

**Segment:** **MOA**      Seq. No.: 58      Level: 1      **Monetary amount**  
 Status: D      Max. Occ.: 1  
 Counter: 2210

**Name:**      **Total invoice additional amount in invoicing currency**

**Description of segment:**

UN/EDIFACT			Implementation	
	Name	St Format	St Format	Use / Remarks
MOA				
C516	Monetary amount	M	M	
5025	Monetary amount type code qualifier	M an..3	M an..3	Amount Type
5004	Monetary amount	C n..35	R n..15	<b>136 = Total invoice additional amount</b> Value of a monetary amount to be added to the sum of line items to arrive at the document's total amount - in invoice currency. Maximum 2 Decimals
6345	Currency identification code	C an..3	N	not used
6343	Currency type code qualifier	C an..3	R an..3	Amount Currency Qualifier
4405	Status description code	C an..3	N	<b>4 = Invoicing currency</b> not used

**Comments:**

Used when additional charges has been made on any line item.

**Example:**

MOA+136:1000::4'

# VOLVO GLOBAL INVOICE NAP MATERIAL 2

## UN/EDIFACT Message: Segment details

**Group:** **SG50** Status: R Max. Occ.: 1 Total invoice price adjustment amount in invoicing currency

Amount being the balance of the amount to be adjusted and the adjusted amount - in invoice currency.

This amount is used for instance, if the invoice total amount - calculated by the computer - has fractions, but the invoice shall always show only whole currency units (e.g. SEK)

**Segment:** **MOA** Seq. No.: 59 Level: 1 **Monetary amount**  
 Status: D Max. Occ.: 1  
 Counter: 2210

**Name:** Total invoice price adjustment amount in invoicing currency

### Description of segment:

UN/EDIFACT			Implementation	
	Name	St Format	St Format	Use / Remarks
MOA				
C516	Monetary amount	M	M	
5025	Monetary amount type code qualifier	M an..3	M an..3	Amount Type
5004	Monetary amount	C n..35	R n..15	<b>165 = Adjustment amount</b> Value of an adjustment amount in currency units Maximum 2 Decimals Minus sign must be used to indicate negative figures.
6345	Currency identification code	C an..3	N	not used
6343	Currency type code qualifier	C an..3	R an..3	Amount Currency Qualifier
4405	Status description code	C an..3	N	<b>4 = Invoicing currency</b> not used

### Comments:

In some countries the invoice amount is always rounded to full currency units (e.g. SEK in Sweden). The sum of all line item amounts + Charges, taxes does often not equal to this rounded invoice amount. In this case, an adjustment amount might be necessary to explain the difference.

### Example:

MOA+165:0.26::4'

# VOLVO GLOBAL INVOICE NAP MATERIAL 2

## UN/EDIFACT Message: Segment details

**Group:** **SG50** Status: R Max. Occ.: 100 Non-taxable / exemption amount

**Segment:** **MOA** Seq. No.: 60 Level: 1 **Monetary amount**  
 Status: M Max. Occ.: 1  
 Counter: 2210

**Name:** Non-taxable or exemption amount

**Description of segment:**

UN/EDIFACT			Implementation	
	Name	St Format	St Format	Use / Remarks
MOA				
C516	Monetary amount	M	M	
5025	Monetary amount type code qualifier	M an..3	M an..3	
5004	Monetary amount	C n..35	R n..15	<b>342 = Non-taxable amount</b> <b>403 = Exemption amount</b> Non taxable amount Maximum 2 Decimals Value of a monetary amount subject to tax exemptions Maximum 2 Decimals For more Information use guidelines at Volvo IT's EDI homepage
6345	Currency identification code	C an..3	N	not used
6343	Currency type code qualifier	C an..3	R an..3	Amount Currency Qualifier
4405	Status description code	C an..3	N	<b>4 = Invoicing currency</b> not used

**Comments:**

Use this segment if zero rate taxes apply.

**Example:**

MOA+403:1000:EUR:4'

# VOLVO GLOBAL INVOICE NAP MATERIAL 2

## UN/EDIFACT Message: Segment details

**Group:** SG52    Status: M    Max. Occ.: 10    Tax rates and amounts

**Segment:** TAX    Seq. No.: 61    Level: 1    **Duty/tax/fee details**  
 Status: M    Max. Occ.: 1  
 Counter: 2260

**Name:**            Tax type

**Description of segment:**

UN/EDIFACT			Implementation	
	Name	St Format	St Format	Use / Remarks
TAX				
5283	Duty or tax or fee function code qualifier	M an..3	M an..3	Code qualifying the function of a duty or tax or fee.  <b>7            = Tax</b>
C241	Duty/tax/fee type	C	R	
5153	Duty or tax or fee type name code	C an..3	R an..3	Code specifying a type of duty, tax or fee. Code OTH shall be used when the tax in question is not VAT or another tax code.  <b>AAG        = Harmonised sales tax, Canadian</b> <b>AAH        = Quebec sales tax</b> <b>AAI        = Canadian provincial sales tax</b> <b>BOL        = Stamp duty (Imposta di Bollo)</b> <b>GST        = Goods and services tax</b> <b>LOC        = Local sales tax</b> <b>OTH        = Other taxes</b> <b>STT        = State/provincial sales tax</b> <b>VAT        = Value added tax</b>
1131	Code list identification code	C an..17	N	not used
3055	Code list responsible agency code	C an..3	N	not used
5152	Duty or tax or fee type name	C an..35	N	not used
C533	Duty/tax/fee account detail	C	N	not used
5289	Duty or tax or fee account code	M an..6	N	not used
1131	Code list identification code	C an..17	N	not used
3055	Code list responsible agency code	C an..3	N	not used
5286	Duty or tax or fee assessment basis quantity	C an..15	N	not used
C243	Duty/tax/fee detail	C	R	
5279	Duty or tax or fee rate code	C an..7	N	Rate (percentage) of the specified tax. not used
1131	Code list identification code	C an..17	N	not used
3055	Code list responsible agency code	C an..3	N	not used
5278	Duty or tax or fee rate	C an..17	R n..7	Duty/Tax/Fee Rate The tax rate (numeric) should be presented as follows: 19.5% ==> :19.500. In case of VAT exemption use 0.000.
5273	Duty or tax or fee rate basis code	C an..12	N	not used

# VOLVO GLOBAL INVOICE NAP MATERIAL 2

## UN/EDIFACT Message: Segment details

UN/EDIFACT			Implementation	
	Name	St Format	St Format	Use / Remarks
1131	Code list identification code	C an..17	N	not used
3055	Code list responsible agency code	C an..3	N	not used
5305	Duty or tax or fee category code	C an..3	R an..3	<p>Code specifying a duty or tax or fee category.</p> <p>Under 6th EU directive, any exemption from tax has to be declared more detailed. There are several provisions in the directive, which allow exemption. In the European environment it is necessary to state this reason whenever the invoice issuer declares an invoice item or the whole invoice to be VAT exempt.</p> <p>The use of any valid EDIFACT code is permitted, the trading partners may limit the codes in accordance with business and legal requirements.</p> <p>(1) Codes created to comply with the European invoicing directive. These codes are not yet part of the official EDIFACT code list. In Europe it is recommended or even required to use these more specific codes instead of code E.</p> <p>For more Information use guidelines: Reference to Codelist VAT Category code (Tax Exemption Reason Codes list at Volvo IT's EDI homepage)</p> <p><b>E</b> = Exempt from tax  <b>S</b> = Standard rate  <b>AAA</b> = Exempt - Article 15 of Directive 77/388/EC (1)  <b>AAB</b> = Exempt - Article 16 of Directive 77/388/EC (1)  <b>AAC</b> = Exempt - Article 28c(A) of Directive 77/388/EC (1)  <b>AAE</b> = Exempt - Article 28b(C) (D) (E) (F) of Directive 77/388/EC (1)  <b>AAF</b> = Exempt - Article 26b(B) of Directive 77/388/EC (1)  <b>AAG</b> = Exempt - Article 13 of Directive 77/388/EC (1)  <b>AAH</b> = Margin Scheme - Article 26a of Directive 77/388/EC (1)  <b>AAI</b> = Margin - Article 26 of Directive 77/388/EC (1)  <b>AAJ</b> = Reverse Charge - Article 26b(F) of Directive 77/388/EC (1)  <b>AAK</b> = Reverse Charge - Article 21 1.a of Directive 77/388/EC (1)  <b>AAL</b> = Reverse Charge - 2nd subparagraph of Article 16(1) of Directive 77/388/EC (1)  <b>AAM</b> = New Means of Transport - Article 28a(2) of Directive 77/388/EC (1)  <b>AAN</b> = Exempt - Article 28c(E)(3) of Directive 77/388/EC Triangulation (1)  <b>AAO</b> = Reverse Charge - Article 9.2.e of Directive 77/388/EC (1)</p>
3446	Party tax identifier	C an..20	N	not used
1227	Calculation sequence code	C an..3	N	not used

### Comments:

When sending a message with data element 5278 in the TAX segment, the tax rate (numeric) should be presented in an alpha-numeric field as follows: 19.5% ==> :19.5

In European business environment, it is recommended to use SG52 as well to summarize line items belonging to the same exemption category. Assuming an invoice with a mixture of line items (1000 EUR) subject to VAT and line items (1000 EUR) subject to tax exemption, the following example would explain the recommendation:

SG50: Total invoice amount (MOA+77) 2160.00 EUR  
 SG50: Total taxable amount (MOA+125) 1000.00 EUR  
 SG50: Total tax amount (MOA+176) 160.00 EUR  
 SG50: Total exemption amt (MOA+403) 1000.00 EUR

# VOLVO GLOBAL INVOICE NAP MATERIAL 2

## UN/EDIFACT Message: Segment details

SG52: Tax rate and amounts - VAT  
SG52: Tax rate and type (TAX+7) 16% VAT  
SG52: Taxable amount (MOA+125) 1000.00 EUR  
SG52: Tax amount (MOA+124) 160.00 EUR  
SG52: Tax rate and amounts - exempt code AAA  
SG52: Tax rate and type (TAX+7) 0% AAA (exempt ...)  
SG52: Taxable amount (MOA+125) 1000.00 EUR  
SG52: Tax amount (MOA+124) 0.00 EUR

### Example:

TAX+7+VAT+++:::16.000+S'

# VOLVO GLOBAL INVOICE NAP MATERIAL 2

## UN/EDIFACT Message: Segment details

**Group:** SG52    Status: M    Max. Occ.: 10    Tax rates and amounts

**Segment:** MOA    Seq. No.: 62    Level: 2    **Monetary amount**  
 Status: R    Max. Occ.: 1  
 Counter: 2270

**Name:**            Tax amount in invoice currency

**Description of segment:**

UN/EDIFACT			Implementation	
	Name	St Format	St Format	Use / Remarks
MOA				
C516	Monetary amount	M	M	
5025	Monetary amount type code qualifier	M an..3	M an..3	
5004	Monetary amount	C n..35	R n..15	<b>124</b> = Tax amount Value of a tax amount in currency units Maximum 2 Decimals
6345	Currency identification code	C an..3	N	not used
6343	Currency type code qualifier	C an..3	R an..3	Amount Currency Qualifier
4405	Status description code	C an..3	N	<b>4</b> = Invoicing currency not used

**Comments:**

**Example:**

MOA+124:160::4'

# VOLVO GLOBAL INVOICE NAP MATERIAL 2

## UN/EDIFACT Message: Segment details

**Group:** SG52    Status: M    Max. Occ.: 10    Tax rates and amounts

**Segment:** MOA    Seq. No.: 63    Level: 2    **Monetary amount**  
 Status: R    Max. Occ.: 1  
 Counter: 2270

**Name:**            Taxable amount in invoice currency

**Description of segment:**

UN/EDIFACT			Implementation	
	Name	St Format	St Format	Use / Remarks
MOA				
C516	Monetary amount	M	M	
5025	Monetary amount type code qualifier	M an..3	M an..3	
5004	Monetary amount	C n..35	R n..15	<b>125</b> = Taxable amount Value of a taxable amount in currency units Maximum 2 Decimals
6345	Currency identification code	C an..3	N	not used
6343	Currency type code qualifier	C an..3	R an..3	Amount Currency Qualifier
4405	Status description code	C an..3	N	<b>4</b> = Invoicing currency not used

**Comments:**

**Example:**

MOA+125:1000::4'

# VOLVO GLOBAL INVOICE NAP MATERIAL 2

## UN/EDIFACT Message: Segment details

**Segment:** **UNT** Seq. No.: 64 Level: 0 **Message trailer**  
Status: M Max. Occ.: 1  
Counter: 2330

**Name:** Message trailer

### Description of segment:

UN/EDIFACT		Implementation		
	Name	St Format	St Format	Use / Remarks
UNT				
0074	Number of segments in the message	M n..6	M n..6	Number of segments in the message
0062	Message reference number	M an..14	M an..14	

### Comments:

### Example:

UNT+162+1'