

Volvo Information Technology

9642 EDI Support

S-405 08 GOTHENBURG

VOLVO **Application of PRICAT** **UN/EDIFACT**

Issuer:	Department 9642	Name: EDI Support Group	Tel: +46 31-662200 Fax: +46 31-662201	Geographic location. ARHK3S
Date:	July 2004			
Description:	Volvo subset of pricat			
Issue:	040708			
Replace				

CONTENTS

1.0 APPLICATION AGREEMENT	3
2.0 VOLVO APPLICATION OF EDIFACT PRICAT FROM VERSIONS D 97A	4
2.1 THESE ARE THE GROUPS AND SEGMENTS WHICH WILL BE USED BY VOLVO	9

2.0 VOLVO application of EDIFACT PRICAT from versions D 97A

This is a description of those part of the EDIFACT message, that VOLVO propose to use.

Structure**HEADER SECTION**

TAG	NAME	S	REPT	S	REPT
UNH	Message header	M	1		
BGM	Beginning of message	M	1		
DTM	Date/time/period	M	3		
	Segment Group 1			O	5
RFF	Reference	M	1		
DTM	Date/time/period	O	1		
	Segment Group 2			M	5
NAD	Name and address	R	2		
LOC	Location	O	1		
	Segment Group 4			O	1
CTA	Contact information	M	1		
COM	Communication contact	O	3		
	Segment Group 6			O	2
CUX	Currencies	M	1		
	Segment Group 7			O	2
PAT	Payment terms basis	M	1		
PCD	Percentage details	O	2		
	Segment Group 9			O	1
TOD	Terms of delivery or transport	M	1		
LOC	Place/location identification	O	1		

DETAIL SECTION

TAG	NAME	S	REPT	S	REPT
	Segment Group 16			M	200000
PGI	Product Group Item	M	1		
	Segment Group 26			O	2
NAD	Name and address	M	1		
LOC	Place/location identifier	O	1		
	Segment Group 27			O	3
RFF	References	M	1		
DTM	Date/time/period	O	5		
	Segment Group 28			O	1
CTA	Contact information	M	1		
COM	Communication contact	O	3		
	Segment Group 33			M	200000
LIN	Line item	M	1		
PIA	Additional product id	O	5		
IMD	Item description	O	5		
MEA	Measurements	O	5		
HAN	Handling instructions	O	5		
ALI	Additional information	O	1		
NAD	Name and address	O	2		
RFF	References	O	5		
LOC	Place/Location identifier	O	1		
FXT	Free text	O	99		
	Segment Group 36			O	2
CUX	Currencies	M	1		

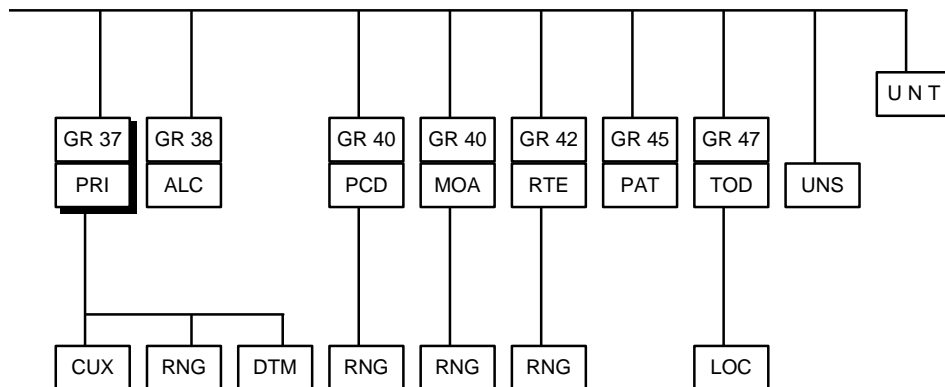
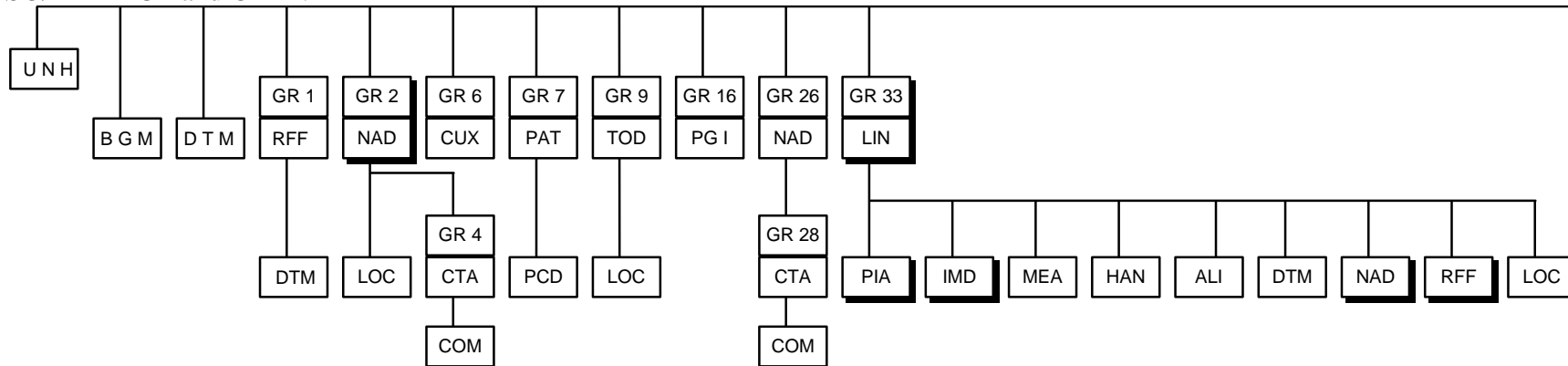
TAG	NAME	S	REPT	S	REPT
	Segment Group 37			O	10
PRI	Price details	M	1		
RNG	Range details	O	1		
DTM	Date/time/period	O	2		
	Segment Group 38			O	10
ALC	Allowance or charge	M	1		
	Segment Group 40			O	5
PCD	Percentage details	M	1		
RNG	Range details	O	1		
	Segment group 41			O	5
MOA	Monetary amount	M	1		
RNG	Range details	O	1		
	Segment group 42			O	5
RTE	Rate detail	M	1		
RNG	Range details	O	1		
	Segment group 47			O	5
TOD	Terms of delivery or transport	M	1		
LOC	Place/location identifier	O	1		
UNT	Message trailer	M	1		

SUMMARY SECTION

TAG	NAME	S	REPT	S	REPT
UNS	Section control	M	1		
UNT	Message trailer	M	1		

File structure header section

Initial and closing service segments are not shown in the figure below. They are described in the Volvo specification in chapter Application of ISO/EDIFACT and OFTP.



2.1 These are the groups and segments which will be used by Volvo**Heading Section****UNH MESSAGE HEADER M 1****Function:**

Service segment used by the sender to head, identify and specify a message uniquely.

0062	MESSAGE REFERENCE NUMBER <i>Value: 1</i>	M an..14
S009	MESSAGE IDENTIFIER	M
0065	Message type identifier <i>Value: PRICAT</i>	M an..6
0052	Message type version number <i>Value: D</i>	M an..3
0054	Message type release number <i>Value: 97A</i>	M an..3
0051	Controlling agency <i>Value: UN</i>	M an..2
0057	Association assigned code <i>Value: XX1</i> <i>Comment: Allocated by Volvo</i>	R an..6
0068	COMMON ACCESS REFERENCE	N
S010	STATUS OF TRANSFER	N
0070	Sequence message transfer number	???
0073	First/last sequence message transfer indication	???

Example: UNH+1+PRICAT:D:97A:UN:XX1'

BGM	BEGINNING OF MESSAGE	M 1
	Function: To indicate the type and function of a message, to transmit the identifying number (in 1004).	
C002	DOCUMENT/MESSAGE NAME	R
1001	Document/message name, coded	R an..3
	<i>Value:</i> 9 Price/Sales catalogue 51 Price Catalogue Response 52 Price Negotiation Result	
1131	Code list qualifier	N
3055	Code list responsible agency, coded	N
1000	Document/message name	N
1004	DOCUMENT/MESSAGE NUMBER	R an..35
	<i>Value:</i> Message number	
1225	MESSAGE FUNCTION, CODED	D an..3
	<i>Value:</i> 1 Cancellation 4 Change 6 Confirmation 9 Original 11 Response 16 Proposal 46 Provisional (used in sense of promotional)	
4343	RESPONSE TYPE, CODED	N
	Example: BGM+9+123456+9	

DTM	DATE/TIME/PERIOD	R 1
	Function: To specify message date/time and validity of the price catalogue	
C507	DATE/TIME/PERIOD	M
2005	Date/time/period qualifier <i>Value:</i> 36 Expire date 137 Document/message date/time 157 Validity start date	M an..3
2380	Date/time/period Date given in the format depending on 2380	R an..35
2379	Date/time/period format qualifier <i>Value:</i> 102 Calendar date: C = Century; Y = Year M = Month; D = Day. Example: DTM+137:199719010:102' DTM+137:199710101203:203'	R an..335

SEGMENT GROUP 1		O 1
RFF	REFERENCE	M 1
	Function: To specify a reference.	
C506	REFERENCE	M
1153	Reference qualifier <i>Value:</i> AEG Customer specification number	M an..3
1154	Reference number Production identification number	R an..35
1156	Line number	N
4000	Reference version number Example: RFF+AEG:005123456'	N
DTM	DATE/TIME/PERIOD	0 5
Function:	To specify validity date/time for the RFF	
C507	DATE/TIME/PERIOD	M
2005	Date/time/period qualifier <i>Value:</i> 157 Validity start date	M an..3
2380	Date/time/period Date given in the format depending on 2380	R an..35
2379	Date/time/period format qualifier <i>Value:</i> 102 Calendar date: C = Century; Y = Year M = Month; D = Day.	R an..35
Example:	DTM+137:199719010:102'	

SEGMENT GROUP	2	M 5
NAD	NAME AND ADDRESS	R 1
Function:	Identify the buyer in coded form.	
3035	PARTY QUALIFIER	M
	<i>Value:</i> BY Buyer	M an..3
C082	PARTY IDENTIFICATION DETAILS	R
3039	Party id identification	R
	Sellers identification on the Buyer	M an..35
1131	Code list qualifier	N
3055	Code list responsible agency, coded	R an..3
	<i>Value:</i> 91 Assigned by Seller or Seller's agent	
C058	NAME AND ADDRESS	N
3124	Name and address line	
3124	Name and address line	
3124	Name and address line	
3124	Name and address line	
C080	PARTY NAME	O
3036	Party name	M an..35
	Buyer party name	N
3036	Party name	N
3036	Party name	N
3036	Party name	N
3036	Party name	N
3045	Party name format, code	N
C059	STREET	N
3042	Street and number/P.O. Box	
3042	Street and number/P.O. Box	
3042	Street and number/P.O. Box	

3164	CITY NAME	N
3229	COUNTRY SUB-ENTITY IDENTIFICATION	N
3251	POST CODE IDENTIFICATION	N
3207	COUNTRY, CODED	N

Example: NAD+BY+94409::91++VOLVO TRUCK CORPORATION'

SEGMENT GROUP	4	0 1
CTA	CONTACT INFORMATION	M 1
Function:	Information about and identifies the buyer.	
3139	CONTACT FUNCTION, CODED	R an..3
	<i>Value:</i> IC Information contact	M an..3
C056	DEPARTAMENT OR EMPLOYEE DETAILS	R
3413	Department or employee identification	N
3412	Department or employee Either the name or the code of the purchase at Volvo must be given.	R an..35
	Example: CTA+IC+:LEIF EDSTROM'	
COM	COMMUNICATION CONTACT	0 3
Function:	Seller's communication contact information about the buyer.	
C076	COMMUNICATION CONTACT	M
3148	Communication number A phone(including extension), Fax number, E-mail	M an..25
3155	Communication channel qualifier <i>Value:</i> TE Telephone FX Fax EM Electronic Mail	M an..3
	Example: COM+031593265:TE'	

SEGMENT GROUP	2	Additional loop
NAD	NAME AND ADDRESS	R 1
Function:	Information about the seller.	
3035	PARTY QUALIFIER	
	<i>Value:</i> SE Seller	M an..3
C082	PARTY IDENTIFICATION DETAILS	R
3039	Party id identification Buyer's code on the Seller See Trading Partner Agreement.	M an..35
1131	Code list qualifier	N
3055	Code list responsible agency, coded <i>Value:</i> 92 Assigned by Buyer or Buyer's agent	R an..3
C058	NAME AND ADDRESS	N
3124	Name and address line	
3124	Name and address line	
3124	Name and address line	
3124	Name and address line	
3124	Name and address line	
C080	PARTY NAME	0
3036	Party name Seller party name	M an..35
3036	Party name	
3036	Party name	
3036	Party name	
3036	Party name	
3045	Party name format, coded	
C059	STREET	N
3042	Street and number/P.O. Box	
3042	Street and number/P.O. Box	
3042	Street and number/P.O. Box	

3164	CITY NAME	N
3229	COUNTRY SUB-ENTITY IDENTIFICATION	N
3251	POST CODE IDENTIFICATION	N
3207	COUNTRY, CODED	N

Example: NAD+SE+6065::92++ROBERT BOSCH GMBH'

SEGMENT GROUP	4	0 1
CTA	CONTACT INFORMATION	M 1
Function:	Contact information about the Seller.	
3139	CONTACT FUNCTION, CODED	R an..3
	<i>Value:</i> IC Information contact	
C056	DEPARTAMENT OR EMPLOYEE DETAILS	R
3413	Department or employee identification Department or employee	N R an..35
	Either the name or the code of the seller's contact person must be given.	
	Example: CTA+IC+:BENGT SJOGREN'	
COM	COMMUNICATION CONTACT	0 3
Function:	Buyer's communication contact information about the seller	
C076	COMMUNICATION CONTACT	M
3148	Communication number	M an..25
	A phone(including extension), Fax number, E-mail	
3155	Communication channel qualifier	M an..3
	<i>Value:</i> TE Telephone FX Fax EM Electronic Mail	
	Example: COM+031593265:TE'	

SEGMENT GROUP	2	Additional loop 0 1
NAD	NAME AND ADDRESS	M 1
Function:	To specify the name/address and their related function, either by CO82 only and/or by CO80 through 3207.	
3035	PARTY QUALIFIER	M an..3
	<i>Value:</i> MF Manufacturer of goods	M an..3
C082	PARTY IDENTIFICATION DETAILS	C
3039	Party id identification Identification see trading partner agreement	M an..35
1131	Code list qualifier	N
3035	Code list responsible agency, coded <i>Value:</i> 91 Assigned by seller or seller's agent 92 Assigned by buyer or buyer's agent	D an..3
C058	NAME AND ADDRESS	N
3124	Name and address line	N
3124	Name and address line	N
3124	Name and address line	N
3124	Name and address line	N
3124	Name and address line	N
C080	PARTY NAME	M
3036	Party name Manufacturer party name	M an..35 N
3036	Party name	
3036	Party name	
3036	Party name	
3036	Party name	
3045	Party name format, coded	
C059	STREET	N
3042	Street and number/P.O. Box	
3042	Street and number/P.O. Box	
3042	Street and number/P.O. Box	

3164	CITY NAME	N
3229	COUNTRY SUB-ENTITY IDENTIFICATION	N
3207	COUNTRY, CODED	N

Example: NAD+SE+6065::92++ROBERT BOSCH GMBH'

SEGMENT GROUP 4		O 1
CTA	CONTACT INFORMATION	M 1
Function:	Contact information about the Seller	
3139	CONTACT FUNCTION, CODED Value: IC Information contact	R an..3
C056	DEPARTMENT OR EMPLOYEE DETAILS	R
3413	Department or employee identification	N
3412	Department or employee Either the name or the code of the seller's contact person must be given. Example: CTA+IC+:BENGT SJOGREN'	R an..35
COM	COMMUNICATION CONTACT	O 3
Function:	Buyer's communication contact information about the seller.	
C076	COMMUNICATION CONTACT	M
3148	Communication number A phone (including extension), Fax number, E-mail	M an..25
3155	Communication channel qualifier Value: TE Telephone FX Fax EM Electronic Mail	M an..3
Example:	COM+031593265:TE'	

Segment group 2	Additional loop	O 1
NAD	NAME AND ADDRESS	M 1
Function:	To specify the name/address and their related function, either by C082 only and/or by C080 through 3207.	
3035	PARTY QUALIFIER Value: MF Manufacturer of goods	M an..3
C082	PARTY IDENTIFICATION DETAILS	C
3039	Party id. Identification Identification see trading partner agreement	
1131	Code list qualifier	N
3055	Code list responsible agency, coded Value: 91 Assigned by seller or seller's agent 92 Assigned by buyer or buyer's agent	D an..3
C058	Name and address	N
3124	Name and address line	N
3124	Name and address line	N
3124	Name and address line	N
3124	Name and address line	N
3124	Name and address line	N
C080	PARTY NAME	O
3036	Party name Manufacturer party name	M an..35
3036	Party name	N
3036	Party name	N
3036	Party name	N
3036	Party name	N
3045	Party name format, coded	N
C059	STREET	D
	Address of Manufacturer	
3042	Street and number/P.O.Box	M an..35
3042	Street and number/P.O.Box	O an..35
3042	Street and number/P.O.Box	N

COM COMMUNICATION CONTACT O 3

Function: Buyer’s communication contact information about the manufacturer.

C076 COMMUNICATION CONTACT M

3148 Communication number M an..25

A phone (including extension), Fax number, E-mail

3155 Communication channel qualifier M an..3

Value: TE Telephone

FX Fax

EM Electronic Mail

Example: COM+031593265:TE’

Segment group 2 Additional loop O 1

NAD NAME AND ADDRESS M 1

Function: To identify the Consignee in coded form.

3035 PARTY QUALIFIER M an..3

Value: CN Consignee

C082 PARTY IDENTIFICATION DETAILS R

3039 Party id identification
Buyer identification on the Consignee
See Trading Partner Agreement M an..35

1131 Code list qualifier N

3055 Code list responsible agency, coded R an..3

Value: 92 Assigned by buyer or buyer’s agent

C058 NAME AND ADDRESS N

3124 Name and address line N

3124 Name and address line

3124 Name and address line

3124 Name and address line

3124 Name and address line

C080	PARTY NAME	O
3036	Party name	M an..35
	Consignee Party Name	
3036	Party name	N
3036	Party name	N
3036	Party name	N
3036	Party name	N
3045	Party name format, coded	N
C059	STREET	D
	Address of Manufacturer	
3042	Street and number/P.O.Box	M an..35
3042	Street and number/P.O.Box	O an..35
3042	Street and number/P.O.Box	N
3164	CITY NAME	O an..30 (an..35)
	City name of Consignee	
3229	COUNTRY SUB-ENTITY IDENTIFICATION	O an..2 (an..9)
	State of Consignee	
3251	POST CODE IDENTIFICATION	O AN..9
	Post code of Consignee	
3207	COUNTRY, CODED	O an..3
	Country of Consignee, coded	
	Use ISO 3166 two alpha country code, e.g.	
	NL The Netherlands	
Example:	NAD+CN+1001::92++VOLVO TRUCK CORPORATION, SUPPORT++ GOTEBORG++405 08+SE'	
	NAD+CN+4388::92++VOLVO GM HEAVY TRUCK CORPORATION+HIGHWAY 643+DUBLIN+VA+24084+US	

LOC	PLACE/LOCATION IDENTIFICATION	O 1
Function:	Optionally to be used to indicate further a delivery location, sub-location or specific point within the organization identified in NAD for Consignee	
3227	PLACE/LOCATION QUALIFIER Value:7 Delivery location	M an..3
C517	LOCATION IDENTIFICATION	R
3225	Place/location identification	N
1131	Code list qualifier	N
3055	Code list responsible agency, coded	N
3224	Place/location	M an..17
C519	RELATED LOCATION ONE IDENTIFICATION	N
3223	Related place/location one identification.	N
1131	Code list qualifier	N
3055	Code list responsible agency, coded	N
3222	Related place/location one	N
C553	RELATED LOCATION TWO IDENTIFICATION	N
3233	Related place/location two identifications.	N
1131	Code list qualifier	N
3055	Code list responsible agency, coded	N
3232	Related place/location two	N
5479	RELATION, CODED	N
Example:	LOC+7+:::TUVE LA1' LOC+7+:::Dept 26439 AB1' (Illustration of internal geographical location within Consignee)	

SEGMENT GROUP 4 **O 1****CTA** **CONTACT INFORMATION** **M 1****Function:** Contact information about the Consignee3139 **CONTACT FUNCTION, CODED** R an..3
Value: IC Information contact**C056** **DEPARTMENT OR EMPLOYEE DETAILS** **R**

3413 Department or employee identification N

3412 Department or employee R an..35
Either the name or the code of the consignee contact person must be given.**Example:** CTA+IC+:BENGT SJOGREN'**COM** **COMMUNICATION CONTACT** **O 3****Function:** Communication contact information about consignee**C076** **COMMUNICATION CONTACT** **M**3148 Communication number M an..25
A phone (including extension), Fax number, E-mail3155 Communication channel qualifier M an..3
Value: TE Telephone
FX Fax
EM Electronic Mail**Example:** COM+031593265:TE'

Segment group 2	Additional loop	O 1
NAD	NAME AND ADDRESS	M 1
Function:	To identify the consignor in coded form or by the address.	
3035	PARTY QUALIFIER Value: CZ Consignor	M an..3
C082	PARTY IDENTIFICATION DETAILS	R
3039	Party id identification Sellers or buyer identification on the consignor See Trading Partner Agreement	M an..35
1131	Code list qualifier	N
3055	Code list responsible agency, coded Value: 91 Assigned by seller or seller's agent 92 Assigned by buyer or buyer's agent	R an..3
C058	NAME AND ADDRESS	N
3124	Name and address line	
3124	Name and address line	
3124	Name and address line	
3124	Name and address line	
3124	Name and address line	
C080	PARTY NAME	O
3036	Party name Name of Consignor	M an..35
3036	Party name	N
3036	Party name	N
3036	Party name	N
3036	Party name	N
3045	Party name format, coded	N
C059	STREET	O
	Address of Consignor	
3042	Street and number/P.O.Box	M an..35
3042	Street and number/P.O.Box	O an..35
3042	Street and number/P.O.Box	N
3164	CITY NAME	O an..30 (an..35)

3229	City name of Consignor COUNTRY SUB-ENTITY IDENTIFICATION	O an..2 (an..9)
	State of Consignor	
3251	POST CODE IDENTIFICATION	O an..9
	Post code of Consignor	
3207	COUNTRY, CODED	O an..3
	Country of Consignor, coded Use ISO 3166 two alpha country code, e.g. NL The Netherlands	
Example:	NAD+CZ+1001::92++CONSIGNOR NAME++ GOTEBORG++405 08+SE' NAD+CZ+4388::92++CONSIGNOR NAME + HIGHWAY 643+DUBLIN+VA+24084+US'	

SEGMENT GROUP 4		O 1
CTA	CONTACT INFORMATION	M 1
Function:	Consignor contact information	
3139	CONTACT FUNCTION, CODED Value: IC Information contact	R an..3
C056	DEPARTMENT OR EMPLOYEE DETAILS	R
3413	Department or employee identification	N
3412	Department or employee Either the name or the code of the consignor person must be given.	R an..35
Example:	CTA+IC+:BENGT SJOGREN'	
COM	COMMUNICATION CONTACT	O 3
Function:	Communication contact information about the consignor	
C076	COMMUNICATION CONTACT	M
3148	Communication number A phone (including extension), Fax number, E-mail	M an..25
3155	Communication channel qualifier Value: TE Telephone FX Fax EM Electronic Mail	M an..3
Example:	COM+031593265:TE'	

Segment group 6 **O 2**

CUX CURRENCIES **M 1**

Function: To specify currencies used in the transaction and relevant details for the rate of exchange

C504	CURRENCY DETAILS	R
6347	Currency details qualifier Value:2 Reference currency	M an..3
6345	Currency, coded ISO 4217 three alpha code	R an..3
6343	Currency qualifier Value: 4 Invoice currency 9 Order currency	R an..3
6348	Currency rate base	N
C504	CURRENCY DETAILS	N
6347	Currency details qualifier	N
6345	Currency, coded	N
6343	Currency qualifier	N
6348	Currency rate base	N
5402	RATE OF EXCHANGE	N
6341	CURRENCY MARKET EXCHANGE, CODED	N

Example: CUX+2:SEK:9'

Segment group 7		O 2
PAT	PAYMENT TERMS BASIS	M 1
Function:	To specify the payment basis.	
4279	PAYMENT TERMS TYPE QUALIFIER	M an..3
	Value: 1 Basic	
	5 Discount not applicable	
	7 Extended	
	8 Discount	
	18 Previously agreed upon	
	20 Penalty terms	
	21 Payment by installment	
C110	PAYMENT TERMS	O
4277	Terms of payment identification	N
3055	Code list responsible agency, coded	M an..3
	Value: 91 Assigned by seller or seller's agent	
	92 Assigned by buyer or buyer's agent	
4276	Terms of payment See Trading Partner Agreement	
4276	Terms of payment	N
C112	TERMS/TIME INFORMATION	O
2475	Payment time reference, coded	M an..3
	Value: 9 Date invoice received	
2009	Time relation, coded	O an..3
	Value: 2 Before reference	
2151	Type of period, coded	O an..3
	Value: CD Calendar day (includes weekends and holidays)	
2152	Number of periods	O n..3
	Value: Number of days	
Example:	PAT+1+::92:30' (Illustration to "30day net " code within Volvo Truck Corporation) PAT+1++9:2:CD:10'	
PCD	PERCENTAGE DETAILS	O 2

Function: To specify payment discount and penalty charges

C501	PERCENTAGE DETAILS	M
5245	Percentage qualifier	M an..3
	Value: 12 Discount (percentage, for discount terms)	
	15 Penalty (percentage, for penalty terms)	
5482	Percentage	
	The number of percentage without plus or minus sign.	
5249	Percentage basis, coded	R n..8
1131	Code list qualifier	N
3055	Code list responsible agency, coded	N

Example: PCD+12:5'

Segment group 9

TOD	TERMS OF DELIVERY OR TRANSPORT	M 1
Function:	To specify terms of delivery or transport.	
4055	TERMS OF DELIVERY OR TRANSPORT FUNCTION, CODED Value: 6 Delivery condition	O an..3
4215	TRANSPORT CHARGES METHOD OF PAYMENT, CODED	N
C100	TERMS OF DELIVERY OR TRANSPORT	O
4053	Terms of delivery or transport, coded Inco terms	O an..3
1131	Code list qualifier	N
3055	Code list responsible agency, coded	N
4052	Terms of delivery or transport	N
4052	Terms of delivery or transport	N
Example:	TOD+6++FCA' TOD+6++XWK'	
LOC	PLACE/LOCATION IDENTIFICATION	O 1
Function:	To identify a country/place/location related to the inco terms defined in the preceding TOD segment.	
3227	PLACE/LOCATION QUALIFIER Value: 1 Place of delivery	M an..3
C517	LOCATION IDENTIFICATION	R
3225	Place/location identification Value: Yokohama	D an..17
1131	Code list qualifier	N
3055	Code list responsible agency, coded Value: 6 UN/ECF	D an..3
3224	Place/location Name of location	D an..17

C519	RELATED LOCATION ONE IDENTIFICATION	N
3223	Related place/location one identification	
1131	Code list qualifier	
3055	Code list responsible agency, coded	
3222	Related place/location one	
C553	RELATED LOCATION TWO IDENTIFICATION	N
3233	Related place/location two identification	
1131	Code list qualifier	
3055	Code list responsible agency, coded	
3222	Related place/location two	
5479	RELATED, CODED	N
Example:	LOC+1+YOKOHAMA::6' LOC+1+:::NAME OF LOCATION'	

FILE structure detail section

ABC flow illustration for detail shall be inserted.

Hans or Olle . Can you create this based on above structure.

Detail Section**Segment group 16** **M 200000****PGI** **PRODUCT GROUP INFORMATION** **M 1****Function:** To indicate the group in which a product belongs.5379 **PRODUCT GROUP TYPE, CODED** M an..3
Value: 3 catalogue**C288** **PRODUCT GROUP** **O**
5389 Product group, coded O an..3
Value: AM After Market
PR Production
NA Non Automotive
PG Product Group
DD Direct Delivery

1131 Code list qualifier N

3055 Code list responsible agency, coded O an..3
Value: 92 assigned by buyer or buyer's agent5388 Product group O an..35
Value: L70 (VCE Product group equipment family or Product)**Example:** PGI+3+PG::92:L70

Segment group 26		O 2
NAD	NAME AND ADDRESS	M 1
Function:	To specify the name and address and their related function, either by C082 only and/or C080 through 3207.	
3035	PARTY QUALIFIER Value: MF Manufacturer of goods IM Importer	M an..3
82	PARTY IDENTIFICATION DETAILS	D
3039	Party id. identification Identification see partner agreement	M an..35
1131	Code list qualifier	N
3055	Code list responsible agency, coded Value: 91 Assigned by seller or seller's agent 92 Assigned by buyer or buyer's agent	O an..3
C058	NAME AND ADDRESS	N
3124	Name and address line	N
3124	Name and address line	N
3124	Name and address line	N
3124	Name and address line	N
3124	Name and address line	N
C080	PARTY NAME	O
3036	Party name Manufacturer/Importer party name	M an..35
3036	Party name	N
3036	Party name	N
3036	Party name	N
3036	Party name	N
3045	Party name format, coded	N
C059	STREET	D
	Address of Manufacturer/Importer	
3042	Street and number/P.O.Box	M an..35
3042	Street and number/P.O.Box	O an..35
3042	Street and number/P.O.Box	N

3164	CITY NAME City name of Manufacturer/Importer	O an..30 (an..35)
3229	COUNTRY SUB-ENTITY IDENTIFICATION State of Manufacturer/Importer	O an..2 (an..9)
3251	POST CODE IDENTIFICATION Post code of Manufacturer/Importer	O an..9
3207	COUNTRY, CODED Country of Manufacturer/Importer, coded Use ISO 3166 two alpha country code, e.g. NL The Netherlands	O an..3

Example: NAD+MF+1001::92++MANUFACTURER
PARTY++GOTEBORG++405 08+SE'
NAD+MF+4388::92++MANUFACTURER PARTY+
HIGHWAY 643+DUBLIN+VA+24084+US'

Segment group 28		O 1
CTA	CONTACT INFORMATION	M 1
Function:	Manufacturer/Importer contact information	
3139	CONTACT FUNCTION, CODED Value: IC Information contact	R an..3
C056	DEPARTMENT OR EMPLOYEE DETAILS	R
3413	Department or employee identification	N
3412	Department or employee Either the name or the code of the consignor person must be given. Example: CTA+IC+:BENGT SJOGREN'	R an..35
COM	COMMUNICATION CONTACT	O 3
Function:	Communication contact information about the manufacturer or importer.	
C076	COMMUNICATION CONTACT	M
3148	Communication number A phone (including extension), Fax number, E-mail	M an..25
3155	Communication channel qualifier Value: TE Telephone FX Fax EM Electronic Mail	M an..3
	Example: COM+031593265:TE'	

Segment group 33 **M 200000**

LIN **LINE ITEM** **M 1**

Function: To identify a line item and configuration. Each item corresponding to an occurrence of group 33, a line item number is optional.

1082 Line item number O n..6

1229 ACTION REQUEST/NOTIFICATION, CODED O an..3

- Value: 1** Added
- 2** Deleted
- 3** Changed
- 7** Not accepted
- 10** Not found

C212 **ITEM NUMBER IDENTIFICATION** **O**

7140 Item number O an..35

7143 Item number type, coded R an..3

- Value: IN** Buyer's item number
- VN** Vendor item number

1131 Code list qualifier N

3055 Code list responsible agency, coded N

C829 **SUB-LINE INFORMATION** **N**

5495 Sub-line indicator, coded N

1082 Line item number N

1222 Configuration level O n..2

- Value: 1**
- (Sub-line level. Note if used only the value of 1 is allowed.)

7083 Configuration N

Example: LIN+1+12345678:IN'
LIN+1+12345678:IN+1'

PIA **ADDITIONAL PRODUCT ID** **O 5**

Function: To specify additional identification codes

4347 PRODUCT ID FUNCTION QUALIFIER M an..3

Value: 1 Additional identification

C212	ITEM NUMBER IDENTIFICATION	M
7140	Item number	O an..35
	Article number	
7143	Item number type, coded	O an..3
	Value: VN Vendor item number	
1131	Code list qualifier	N
3055	Code list responsible agency, coded	N

C212	ITEM NUMBER IDENTIFICATION	O
7140	Item number	O an..35
	Part Issue	
7143	Item number type, coded	O an..3
	Value: ZZ1 Part Issue	
3055	Code list responsible agency, coded	O an..3
	Value:92 assigned by buyer or buyers agent	

C212	ITEM NUMBER IDENTIFICATION	O
7140	Item number	O an..35
7143	Item number type, coded	O an..3
	Value: DW Drawing	
1131	Code list qualifier	N
3055	Code list responsible agency, coded	N

C212	ITEM NUMBER IDENTIFICATION	O
7140	Item number	O an..35
7143	Item number type, coded	O an..3
	Value: DR Drawing revision number	
1131	Code list qualifier	N
3055	Code list responsible agency, coded	N

C212	ITEM NUMBER IDENTIFICATION	N
7140	Item number	O an..35
7143	Item number type, coded	O an..3
	Value: ZZ2 Item to be Refurbished	
1131	Code list qualifier	N
3055	Code list responsible agency, coded	
	Value: 92 assigned by buyer or buyers agent	

PIA ADDITIONAL PRODUCT ID (additional PIA within O 5)

Function: To specify additional item identification codes.

4347 PRODUCT ID FUNCTION QUALIFIER M an..3
Value: 1 Additional identification

C212 ITEM NUMBER IDENTIFICATION O
7140 Item number O an..35

Article number
7143 Item number type, coded O an..3
Value: MF Manufacturer Article Number

1131 Code list qualifier N

3055 Code list responsible agency, coded N

Example: PIA+1+32MM457:MF+SCREW M5:PD'

PIA ADDITIONAL PRODUCT ID O 1

Function: To specify substitution item identification codes

4347 PRODUCT ID FUNCTION QUALIFIER M an..3
Value: 3 Substituted by
Value: 4 Substituted for

C212 ITEM NUMBER IDENTIFICATION O
7140 Item number O an..35

7143 Item number, type coded O an..3
Value: VN Vendor article number

1131 Code list qualifier N

3055 Code list responsible agency, coded N

C212 ITEM NUMBER IDENTIFICATION O
7140 Item number O an..35

7143 Item number type, coded O an..3
Value: IN Buyer's item number

1131 Code list qualifier N

3055 Code list responsible agency, coded N

Example: PIA+3+A322011V3:VN+E123456:IN'

C174	VALUE/RANGE	O
6411	Measure unit qualifier	M an..3
	ISO codes	
	See Volvo Common code listing	
6314	Measurement value (with 2 decimals)	M an..18
6162	Range minimum	N
6152	Range maximum	N
6432	Significant digits	N
7383	SURFACE/LAYER INDICATOR, CODED	N

Example: MEA++WT+GRM:112'

QTY	QUANTITY	O 1
------------	-----------------	------------

Function: To specify a pertinent quantity for a LIN sub level.

C186	QUANTITY DETAILS	M
6063	Quantity qualifier	M ann.
	Value: 1 Discrete quantity	
6060	Quantity	M n..15
	Self explanatory	
6411	Measure unit qualifier	O an..3
	ISO codes, same as in PRI 6411	
	See Volvo Common code listing	

Example: QTY+1:2:PCE'

HAN	HANDLING INSTRUCTIONS	O 1
------------	------------------------------	------------

Function: To specify handling and where necessary, notify hazards.

C524	HANDLING INSTRUCTIONS	O
4079	Handling instructions, coded	M an..3
	See trading partner agreement	
1131	Code list qualifier	N
3055	Code list responsible agency, coded	M an..3
	Value: 91 Seller or seller's agent	
	92 Buyer or buyer's agent	

4078	Handling instructions	N
C218	HAZARDOUS MATERIAL	O
7419	Hazardous material class code, identification See trading partner agreement	M an..4
1131	Code list qualifier	N
3055	Code list responsible agency, coded Value: 91 Seller or seller's agent 92 Buyer or buyer's agent	M an..4
7418	Hazardous material class	N

Example: HAN+111::92+222::92'

ALI ADDITIONAL INFORMATION O 1

Function: To indicate that special conditions due to the origin, customs preference, fiscal or commercial factors are applicable.

3239	Country of Origin, coded ISO-codes	M an..3
9213	Type of duty regime, coded	N
4183	Special conditions, coded	N
4183	Special conditions, coded	N
4183	Special conditions, coded	N
4183	Special conditions, coded	N
4183	Special conditions, coded	N

Example: ALI+SE'

DTM DATE/TIME/PERIOD O 2

Function: To specify message date/time

C507	DATE/TIME/PERIOD	M
2005	Date/time/period qualifier Value: 36 Expire date 157 Validity start date	M an..3
2380	Date/time/period Date given in the format depending on 2379	R an..35
2379	Date/time/period format qualifier Value: 102 Calendar date: C=Century; Y= Year M=Month; D=Day 157 Calendar date: C=Century; Y= Year;	R an..3

M=Month; D=Day;H= Hour; M=Minute

Example: DTM+157:19971010:102'
DTM+157:19971010120335:203'

NAD NAME AND ADDRESS O 2

Function: To identify the consignor in coded form or by the address.

3035 PARTY QUALIFIER M an..3
Value: CZ Consignor

C082 PARTY IDENTIFICATION DETAILS R

3039 Party id identification M an..35
Identification on Consignor
See Trading Partner Agreement

1131 Code list qualifier N

3055 Code list responsible agency, coded R an..3

Value: 91 Assigned by seller or seller's agent
92 Assigned by buyer or buyer's agent

C058 NAME AND ADDRESS N

3124 Name and address line
3124 Name and address line
3124 Name and address line
3124 Name and address line
3124 Name and address line

C080 PARTY NAME O

3036 Party name M an..35
Name of Consignor

3036 Party name N

3036 Party name N

3036 Party name N

3036 Party name N

3045 Party name format, coded N

C059 STREET O

Address of Consignor

3042 Street and number/P.O.Box M an..35

3042 Street and number/P.O.Box O an..35

3042	Street and number/P.O.Box	N
3164	CITY NAME City name of Consignor	O an..30 (an..35)
3229	COUNTRY SUB-ENTITY IDENTIFICATION State of Consignor	O an..2 (an..9)
3251	POST CODE IDENTIFICATION Post code of Consignor	O an..9
3207	COUNTRY, CODED Country of Consignor, coded Use ISO 3166 two alpha country code, e.g. NL The Netherlands	O an..3

Example: NAD+CZ+1001::92++CONSIGNOR NAME++
GOTEBORG++405 08+SE'
NAD+CZ+4388::92++CONSIGNOR NAME
+ HIGHWAY 643+DUBLIN+VA+24084+US'

NAD NAME AND ADDRESS O 2

Function: To identify the Consignee in coded form.

3035	PARTY QUALIFIER Value: CN Consignee	M an..3
------	--	---------

C082 PARTY IDENTIFICATION DETAILS R

3039	Party id identification Identification on the consignee See Trading Partner Agreement	M an..35
1131	Code list qualifier	N
3055	Code list responsible agency, coded Value: 91 Assigned by seller or seller's agent 92 Assigned by buyer or buyer's agent	R an..3

C058 NAME AND ADDRESS N

3124	Name and address line
3124	Name and address line
3124	Name and address line
3124	Name and address line
3124	Name and address line

C080 PARTY NAME O

3036	Party name	M an..35
------	------------	----------

RFF REFERENCE O 5

Function: To specify a reference

010	C506	REFERENCE	M
	1153	Reference qualifier	M an..3
		Value: AES Primary reference (repair unit)	
	1154	Reference number	M an..35
		Repair unit item number	
	1156	Line number	N
	4000	Reference version number	N

Example: RFF+AES:repair unit'

RFF REFERENCE O 5

Function: To specify a reference

010	C506	REFERENCE	M
	1153	Reference qualifier	M an..3
		Value: ACD Additional reference number (core unit)	
	1154	Reference number	M an..35
		Core unit item number	
	1156	Line number	N
	4000	Reference version number	N

Example: RFF+ACD:core unit'

LOC PLACE/LOCATION O 1

Function: Optionally to be used to indicate further a delivery location, sub-location or specific point within the organization identified in NAD.

3227	PLACE/LOCATION QUALIFIER	M an..3
	Value: Delivery location	

C517	LOCATION IDENTIFICATION	R
3225	Place/location identification	N
1131	Code list qualifier	N
3055	Code list responsible agency, coded	N

3224 Place/location M an..17

C519 RELATED LOCATION ONE IDENTIFICATION N

3223 Related place/location one identification N

1131 Code list qualifier N

3055 Code list responsible agency, coded N

3222 Related place/location one N

C553 RELATED LOCATION TWO IDENTIFICATION N

3233 Related place/location two identification N

1131 Code list qualifier N

3055 Code list responsible agency, coded N

3222 Related place/location two N

5479 RELATED, CODED N

Example: LOC+7+:::TUVE dock B'
 LOC+7+:::Dept 26439 AB1'
 *(Illustration of internal geographical location within Consignee)

Segment group 37 O 10

PRI PRICE DETAILS M 1

Function: To specify price information

C509 PRICE INFORMATION R

5125 Price qualifier M an..3

Value:**AAA** calculation net
AAB calculation gross(allowances and charges

to be applied to the price must be provided in the ALC segment)

INF Information

5118 Price O n..15

Self explanatory (including 3 decimal)

5375 Price type, coded O an..3

Value: AD Export price
CA Catalogue
CT Contract
DI Distributor
PV Provisional price
QT Quoted
SR Suggested retail
TB To be negotiated

TU Traded unit
WH Wholesale
Z1 Dealer price
Z2 Promotional price

5387	Price type qualifier	N
5284	Unit price basis, 1,10,100,1000	O an..9
6411	Measure unit qualifier ISO codes See Volvo Common code listing	O an..3
5213	Sub-line price change, coded	N

Example: PRI+AAA:20.500:CA::1:PCE'

CUX CURRENCIES O 2

Function: To specify currencies

C504	CURRENCY DETAILS	M
6347	Currency details qualifier	M an..3
	Value: 2 Reference currency	
6345	Currency, coded	M an..3
	ISO 4217 three alpha code	
6343	Currency qualifier	M an..3
	Value: 4 Invoice currency	
	9 Order currency	
6348	Currency rate base	N
C504	CURRENCY DETAILS	N
6347	Currency details qualifier	N
6345	Currency, coded	N
6343	Currency qualifier	N
6348	Currency rate base	N
5402	RATE OF EXCHANGE	N
6341	CURRENCY MARKET EXCHANGE, CODED	N
Example:	CUX+2:SEK:9'	

Segment group 38

O 10

ALC ALLOWANCE OR CHARGE M 1

Function: To identify allowance or charge details.
The allowance or charge may be given as on amount, a rate per unit or a percentage.

5463 ALLOWANCE OR CHARGE QUALIFIER M an..3
Value: A Allowance
C Charge

C552 ALLOWANCE/CHARGE INFORMATION N
 1230 Allowance or charge number
 5189 Charge/allowance description, coded

4471 SETTELMENT, CODED N

1227 CALCULATION SEQUENCE INDICATOR, CODED N

C214 SPECIAL SERVICES IDENTIFICATION R
 7161 Special services, coded M an..3
Value: ABK Miscellaneous
ABL Packaging surcharge
FAC Freight surcharge
FC Freight charge
PC Packing
RF Refurbishing charge
SC Surcharge

1131 Code list qualifier N

3055 Code list responsible agency, coded N

7160 Special service N

7160 Special service N

Example: ALC+A++++ABK'

Segment group 40

O 5

PCD

PERCENTAGE DETAILS

M 1

Function: To specify allowance or charge percentage information.

C501

PERCENTAGE DETAILS

M

5245

Percentage qualifier

M an..3

Value: 3 Allowance or charge

5482

Percentage

R n..8

The number of percentage

5249

Percentage basis, coded

N

1131

Code list qualifier

N

3055

Code list responsible agency, coded

N

Example:

PCD+3:40'

i.e allowance of 40% per unit price

RNG

RANGE DETAILS

O 1

Function: The segment is used if the allowance or charge percentage is depending on a range.

6167

RANGE TYPE QUALIFIER

M an..3

Value: 3 Monetary range

4 Quantity range

C280

RANGE

R

6411

Measure unit qualifier

M an..3

ISO codes

Condition: Must be the same as in PRI 6411.

If Monetary same currency as in CUX 6345.

6162

Range minimum

M n..18

Self explanatory

6152

Range maximum

M n..18

Self explanatory

Example: RNG+4+PCE:200:500'
i.e. expected allowance for the range of 200to500
pieces'
RNG+3+SEK:5000:10000'
i.e expected allowance for the range of 5000to 10000
SEK.

Segment group 41

O 5

MOA MONETARY AMOUNT

M 1

Function: To specify a monetary amount

C516 MONETARY AMOUNT

M

5025 Monetary amount type qualifier

M an..3

Value: 23 Charge amount
204 Allowance amount

Condition: This mandatory value must correspond to what is specified in DE5463 in ALC.

5004 Monetary amount

R n..18

Self explanatory

6345 Currency, coded

N

6343 Currency qualifier

N

4405 Status, coded

N

Example: MOA+204:20000'

RNG RANGE DETAILS

O 1

Function: To identify a range.

Condition: It is used if the allowance or charge is depending on a range.

6167 RANGE TYPE QUALIFIER

M an..3

Value: 3 Monetary range

4 Quantity range

C280 RANGE

R

6411 Measure unit qualifier

M an..3

ISO codes

Condition: Must be the same value as in PRI 6411.
 If Monetary same currency as in CUX 6345.

6162 Range minimum

M n..18

6152 Range maximum

M n..18

Example: RNG+4+PCE:200:500'
i.e. expected allowance for the range of 200to500
pieces'
RNG+3+SEK:5000:10000'
i.e expected allowance for the range of 5000to 10000
SEK.

Segment group 42 **O 5**

RTE **RATE DETAILS** **M 1**

Function: To specify the allowance or charge rate information

C128	RATE DETAILS	M
5419	Rate type qualifier	M an..3
	Value: 1 Allowance rate	
	2 Charge rate	
5420	Rate per unit	M an..15
5284	Unit price basis	N
6411	Measure unit qualifier	N

Example: RTE+1:2.5'
i.e the allowance is applied per unit

RNG **RANGE DETAILS** **O 1**

Function: To identify a range.
Condition: It is used if the allowance or charge is depending on a range.

6167	RANGE TYPE QUALIFIER	M an..3
	Value: 3 Monetary range	
	4 Quantity range	

C280	RANGE	R
6411	Measure unit qualifier	M an..3
	ISO codes	

Condition: Must be the same value as in PRI 6411.
If Monetary same currency as in CUX 6345.

6162	Range minimum	M n..18
6152	Range maximum	M n..18

Example: RNG+4+PCE:200:500'
i.e. expected allowance for the range of 200to500 pieces'
RNG+3+SEK:5000:10000'
i.e expected allowance for the range of 5000to 10000 SEK.

Segment group 45		O 2
PAT	PAYMENT TERMS BASIS	M 1
Function:	To specify the payment terms basis	
4279	PAYMENT TERMS TYPE QUALIFIER	M an..3
	Value: 1 Basic	
	5 Discount not applicable	
	7 Extended	
	8 Discount	
	18 Previously agreed upon	
	20 Penalty terms	
	21 Payment by installment	
C110	PAYMENT TERMS	O
4277	Terms of payment identification	N
1131	Code list qualifier	N
3055	Code list responsible agency, coded	R an..3
	Value: 91 Assigned by seller or seller's agent	
	92 Assigned by buyer or buyer's agent	
4276	Terms of payment See Trading Partner Agreement.	R an..35
4276	Terms of payment	N
C112	TERMS/TIME INFORMATION	O
2475	Payment time reference, coded	M an..3
	Value: 9 Date invoice received	
2009	Time relation, coded	O an..3
	Value:2 Before reference	
2151	Type of period, coded	O an..3
	Value: CD Calendar day (includes weekends and holidays).	
2152	Number of periods	O an..3
	Value: Number of days	
Example:	PAT+1+::921:30' (Illustration to "30 day net" code within Volvo Truck Corporation)	

Segment group 47 **O 1**

TOD **TERMS OF DELIVERY OR TRANSPORT** **M 1**

Function: To specify terms of delivery or transport

4055 Terms of delivery or transport function, coded M an..3

Value: 6 Delivery condition

4215 Transport charges method of payment, coded N

C100 **TERMS OF DELIVERY OR TRANSPORT** **M**

4053 Terms of delivery or transport, coded M an..3

Inco terms

1131 Code list qualifier N

3055 Code list responsible agency, coded N

4052 Terms of delivery or transport N

4052 Terms of delivery or transport N

Example: TOD+6+FCA

LOC **PLACE/LOCATION IDENTIFICATION** **O 1**

Function: To identify a country/place/location related to the inco terms defined in the preceding TOD segment.

3227 PLACE/LOCATION QUALIFIER M an..3

Value: 1 Place of delivery

C517 **LOCATION IDENTIFICATION** **R**

3225 Place/location identification D an..17

Value: Yokohama

1131 Code list qualifier N

3055 Code list responsible agency, coded D an..3

Value: 6 UN/ECE

Must be used if 3225 is used.

3224 Place/location D an..17

Name of location

C519 **RELATED LOCATION ONE IDENTIFICATION** **N**

3223 Related place/location one identification

1131 Code list qualifier

3055 Code list responsible agency, coded

3222	Related place/location one	
C553	RELATED LOCATION TWO IDENTIFICATION	N
3233	Related place/location two identification	
1131	Code list qualifier	
3055	Code list responsible agency, coded	
3222	Related place/location two	
5479	RELATED, CODED	N
Example:	LOC+1+YOKOHAMA::6' LOC+1+:::NAME OF LOCATION'	

Summery section

UNS	Section Control	M 1
Function:	To separate Header, Detail and Summery sections of message.	
0081	SECTION IDENTIFICATION Value: S Separate summery from detail	M an..1
Example:	UNS+S'	